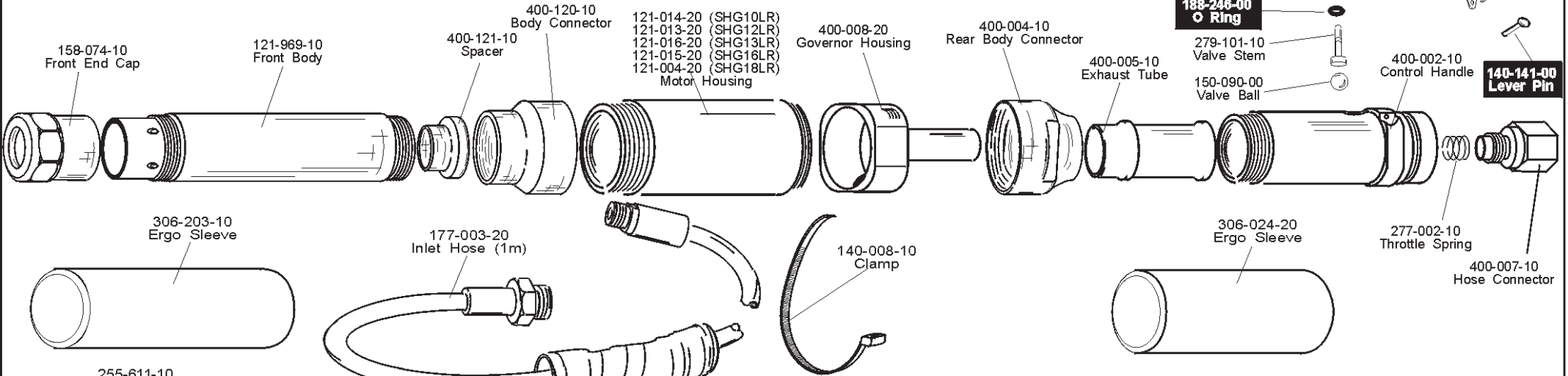
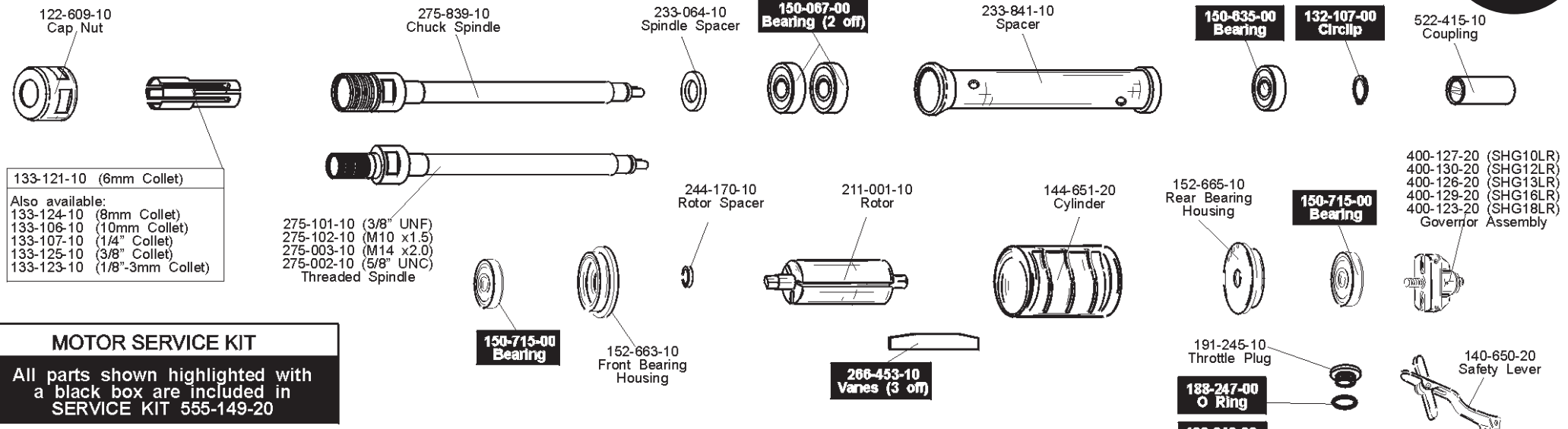


ATA MODELS SHG--LR RANGE PARTS LIST



990-090-10 080205



STRIPPING TOOL SET PART NUMBER 900-546-20

MODEL	R.P.M.	m ³ /min	kg	dB(A)	m/s ²
SHG18LR	18,000	1.13	1.88	81	< 2.5
SHG10LR	10,000	1.13	1.88	81	< 2.5
SHG12LR	12,000	1.13	1.88	81	< 2.5
SHG16LR	16,000	1.13	1.88	81	< 2.5