

# GEDORE

TOOLS FOR LIFE

## Pulling Device for Joint Bush, (Mechanical Drive), Mercedes



**KL-0043-11 B**



0043-11Be130724\_g.docx

### GEDORE Automotive GmbH

Breslauer Straße 41  
78166 Donaueschingen

Postfach 1329  
78154 Donaueschingen - GERMANY

Phone: +49 (0) 771 / 8 32 23-0  
Fax: +49 (0) 771 / 8 32 23-90

Email: [info@gedore-automotive.com](mailto:info@gedore-automotive.com)  
Internet: [www.gedore-automotive.com](http://www.gedore-automotive.com)

Fig.1 Scope of delivery: KL-0043-11 B



Fig.2 Wheel bearing housing



**KL-0043-11 B - Pulling Device for Joint Bush, (Mechanical Drive), Mercedes**

Suitable for Mercedes W124, 190 Series (W201), C-Class (W202, W203, W204), CLK (W208, W209), E-Class (W210) and S-Class (W140), rear axle.

**Field of Application**

The **KL-0043-11 B** pulling device enables the fast, simple and safe removal and installation of the joint bushes that are found on the specified rear axle wheel bearing housings, without the need for removing the latter from the vehicle.

**Scope of Delivery**

Pos.	Part No.	Description
	<b>KL-0043-11 B</b>	Pulling Device for Joint Bush, (Mechanical Drive), Mercedes
	<i>composed of:</i>	
1	KL-0043-110 A	Housing
2	KL-0043-1104	Pressure piece suitable for Mercedes W124, W201, W202, W203, W208, W209, W210, W140
3	KL-0352-1003	Pressure piece suitable for Mercedes W204
4	KL-0043-1102	Spindle
5	KL-0043-1105	Shoulder nut M14

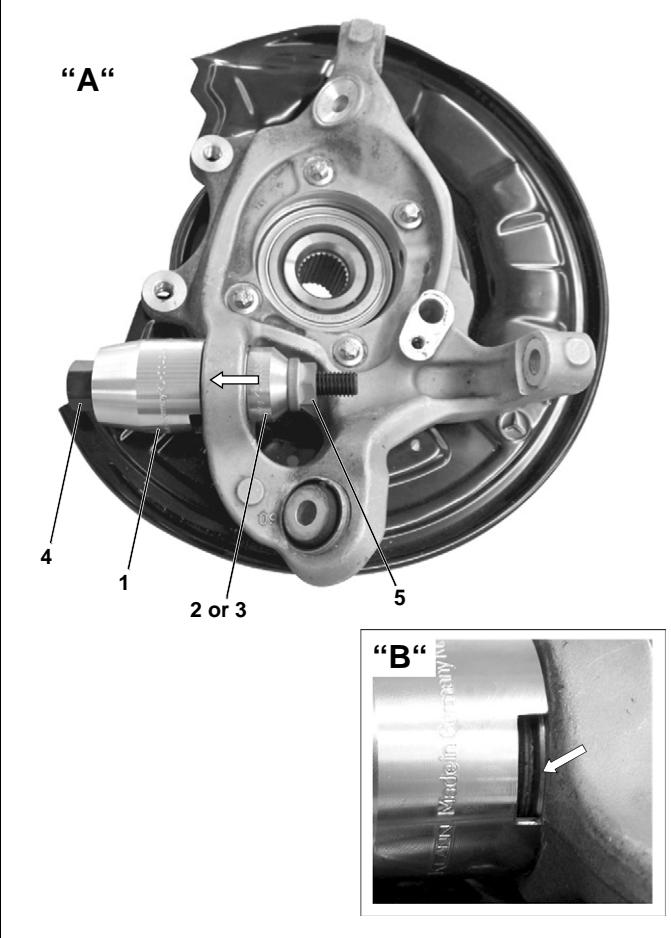
**Technical Data**

Drive: ..... 22 mm (waf)

**Warnings and Notes**

- Do not operate the tool by means of an impact wrench.
- Before use, lubricate spindle with molybdenum disulphide paste **KL-0014-0030**.
- Before putting the tool into operation, visually check to ensure that it is not damaged.
- Any work on vehicles should only be performed by qualified specialist personnel observing and complying with the directions, provisions, and safety regulations specified by the vehicle manufacturer.
- Only the vehicle manufacturer's data apply to any work that is carried out on the vehicle.
- All specific vehicle data stated herein are supplied under reserve and without commitment.

Fig.3 Joint bush removal



**Application example**

**Joint Bush Removal**

1. Lift vehicle and loosen and/or remove components as may be necessary.

2. Mount tool as shown in Fig. 3 A.

**Note:**

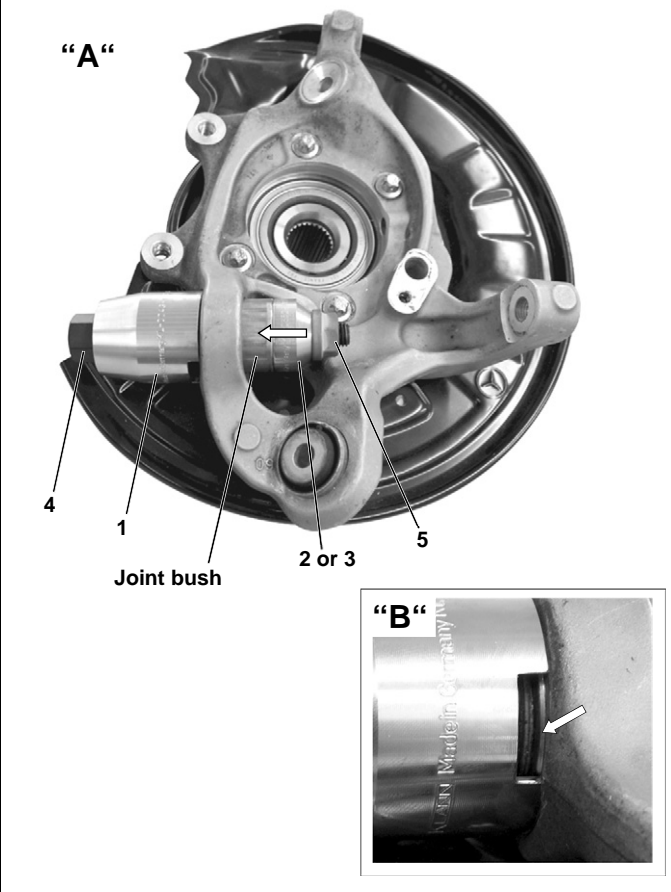
Make sure that the openings in housing "1" are correctly positioned above the burr of the wheel bearing housing. Ensure that joint bush can be inserted into the inner diameter of the housing without touching the latter.

(see Fig. 3 B).

Choose suitable pressure piece "2" or "3" depending on type of vehicle. (see table Scope of Delivery)

3. Extract joint bush by turning spindle "4" with shoulder nut "5".

Fig.4 Joint bush installation



**Joint Bush Installation**

1. Mount tool with new joint bush to wheel bearing housing as shown in Fig. 4 A.

2. Make sure that the openings in housing "1" are correctly positioned above the burr of the wheel bearing housing. Ensure joint bush can be inserted into the inner diameter of the housing without touching the latter.

(see Fig. 4 B)

3. Insert joint bush by turning spindle "4" with shoulder nut "5". Stop the installation process as soon as the joint bush is positioned correctly.

4. Remove tool, check the position of the joint bush and reassemble the vehicle according to the manufacturer's directions.

# **GEDORE**

WERKZEUGE FÜRS LEBEN

## **GEDORE Automotive GmbH**

Breslauer Strasse 41  
78166 Donaueschingen

Postfach 1329  
78154 Donaueschingen - GERMANY

Tel.: +49 (0) 771 / 8 32 23-0  
Fax: +49 (0) 771 / 8 32 23-90

E-Mail: [info@gedore-automotive.com](mailto:info@gedore-automotive.com)  
Internet: [www.gedore-automotive.com](http://www.gedore-automotive.com)