

Quick-Step® Livyn stair profile CLICK



Product specifications

Quick-Step® stair profile CLICK for Livyn floors

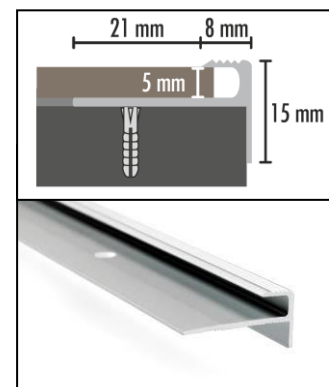
QSVSTPCLICKSILVME200

Aluminium, silver colour

Dimensions 1 PC: 15 x 30 x 200 mm

Order quantity: 1 PC

The profile is made of scratch-resistant aluminium in silver colour.



Note: For safety reasons, Quick-Step® recommends to glue down your Livyn floors on stairs.

Installation

- Make sure the step is clean, dust-free and level.
- Saw the profile to the correct length.
- The Quick-Step® stair profile has pre-drilled and countersunk drill holes. Mark the drill holes on the subfloor with a pen.
- Use screws with a diameter of 5 mm.
- **Installation on mineral subfloors:** drill the holes, remove all drilling dust and insert plugs first. Then fix the stair profile with screws.
- **Installation on wooden subfloors:** evaluate the need to use plugs (depends on the type of wood), alternatively screw directly into the wooden subfloor.
- Install the Livyn underlay, avoiding an overlap with the stair profile.
- Then insert the Livyn floor in the profile, assuring sufficient space to allow the floor to contract and expand after installation.
- When installing this profile on the stairs, please glue down your Livyn floor.
- Use this profile on every outer corner of your stairs.
- For the inner corner of the stairs no profile is needed. With the Livyn tool and cutting knife you can precisely cut the Livyn plank to fit the landing of the stair.

