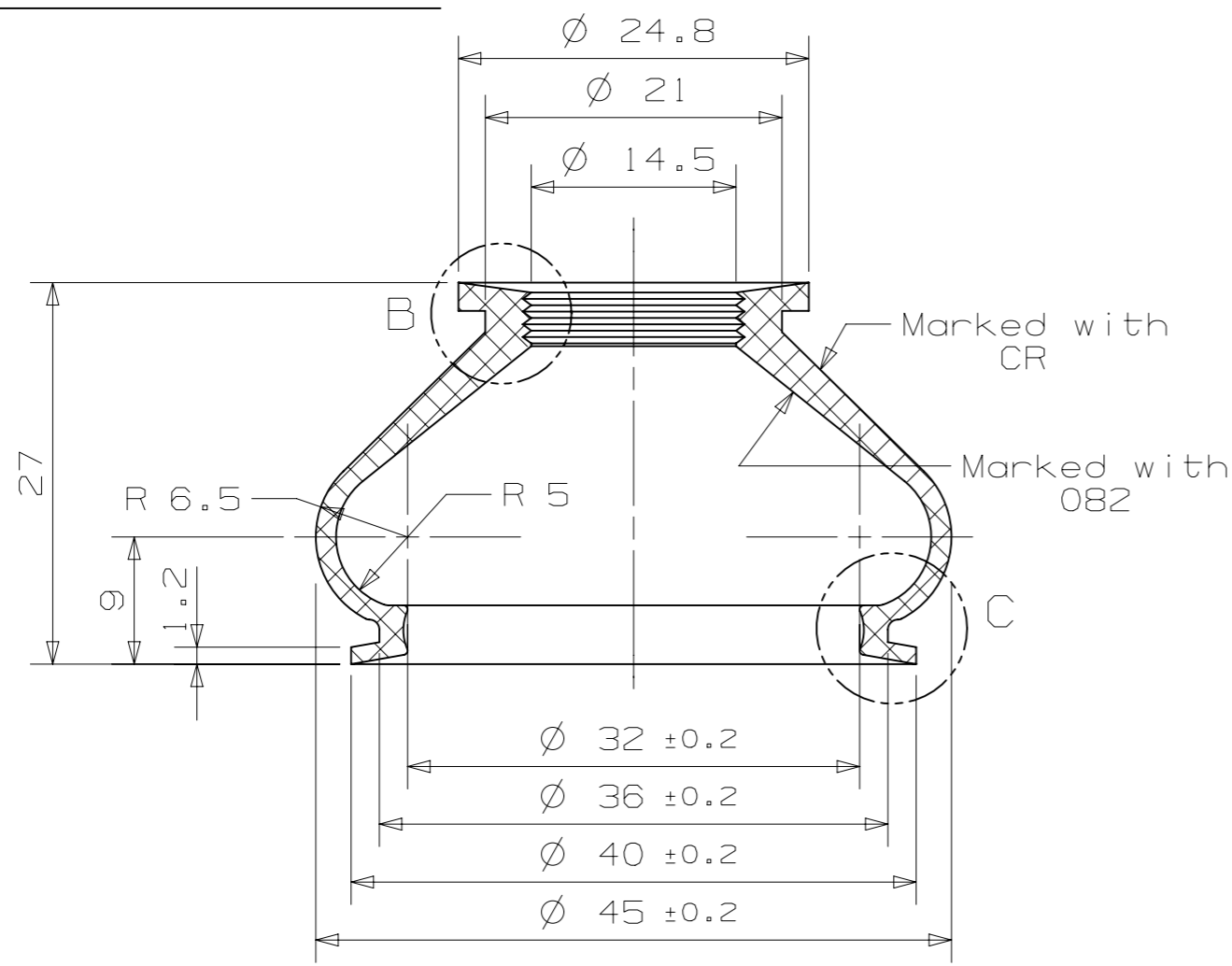
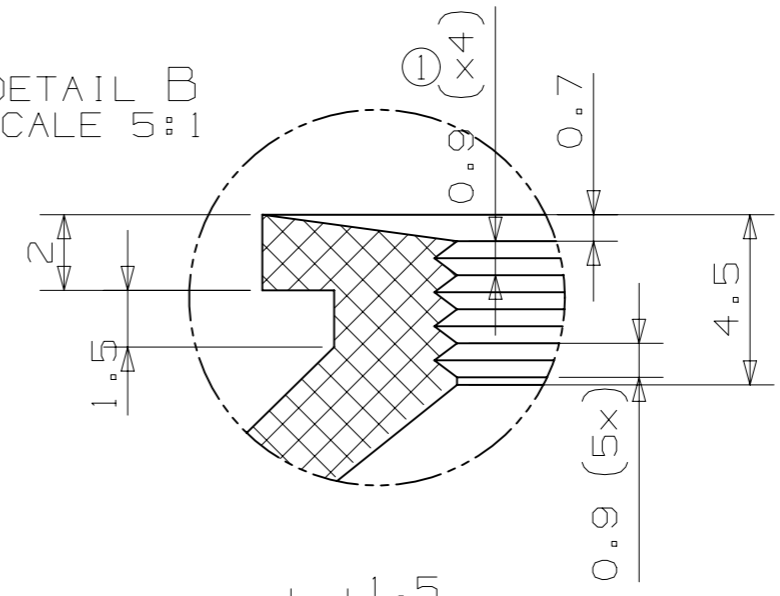


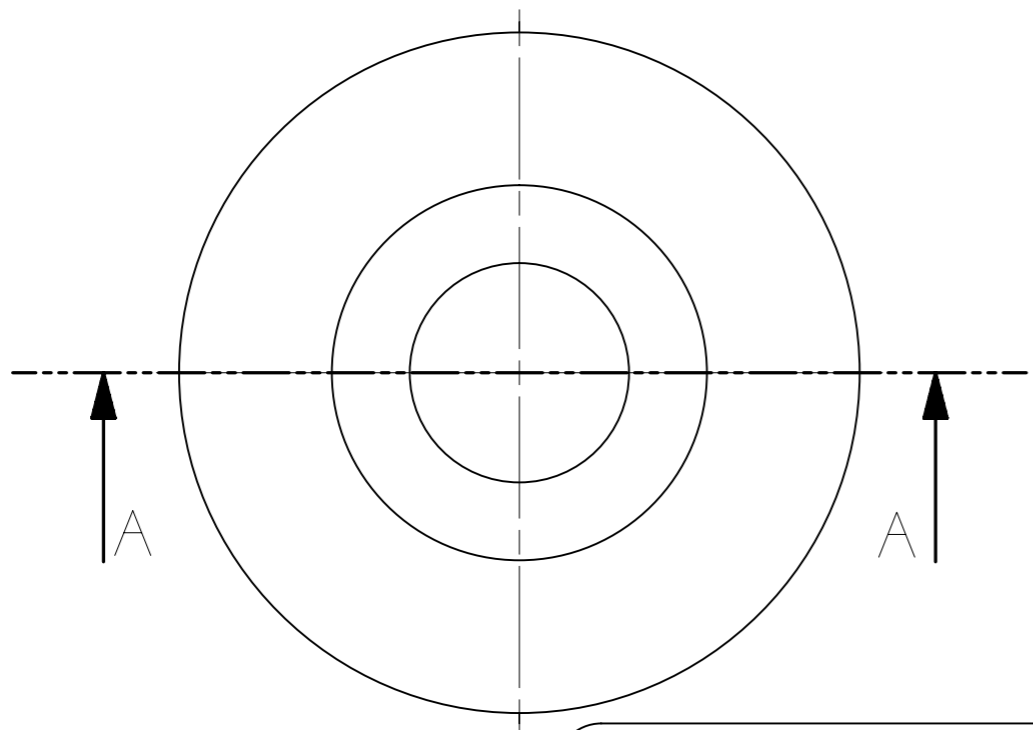
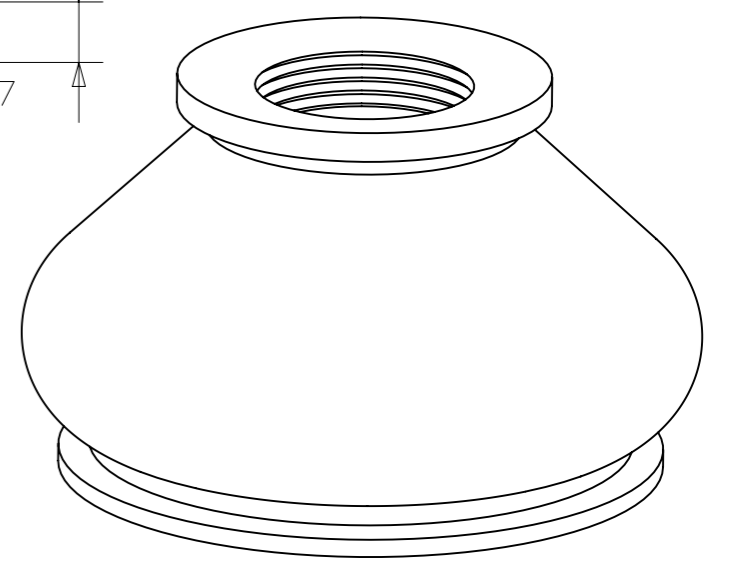
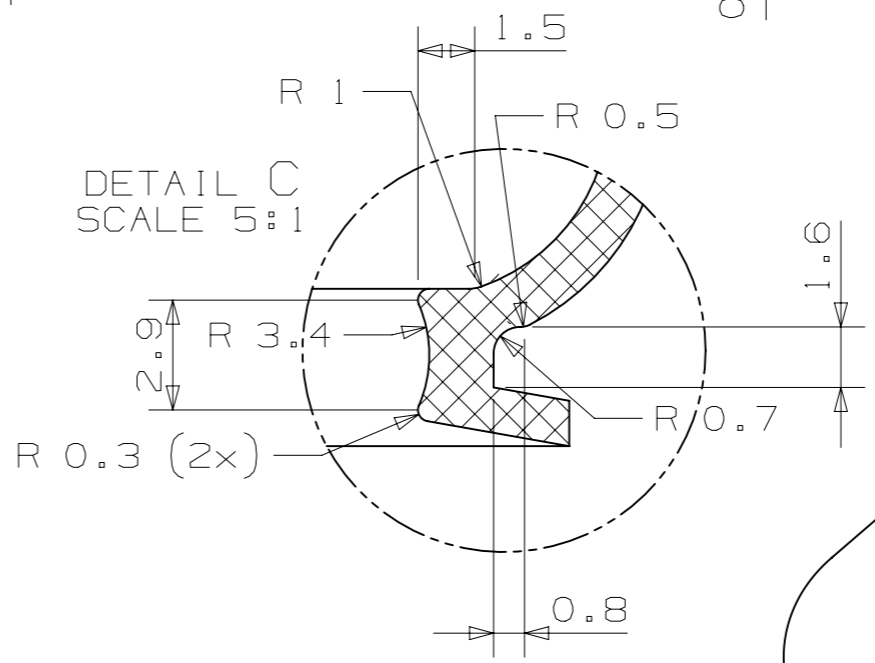
VULCANIZED MOULDED SECTION A-A



DETAIL B
SCALE 5:1



DETAIL C
SCALE 5:1



BREAK ALL SHARP CORNERS

① New design

Shore hardness $52 \pm 3^\circ$ ShA

Permitted differences for dimension without tol.:					Scale: 2:1 (5:1)	Weight:		
from 0.5 to 3	from 3 to 6	from 6 to 30	from 30 to 120	from 120 to 400	Material: CR Rubber	Shape factor:		
± 0.1	± 0.1	± 0.2	± 0.3	± 0.5	Treatment:			
				Date: 27/02/12	Name: Alin	DUSTCOVER		
				Designed: 27/02/12	JDNS			
				Checked: 22/06/12				
				Norm:				
				Special marks:		Drawing name:		
				Company: SIDEM NV.				
				Con: 1	Date: 27501	Origin: CCIR	Drawing number: PA14082.01	Sheet: 1/1
				Con: 1	Date: 27501	Origin: CCIR	Replace:	A3