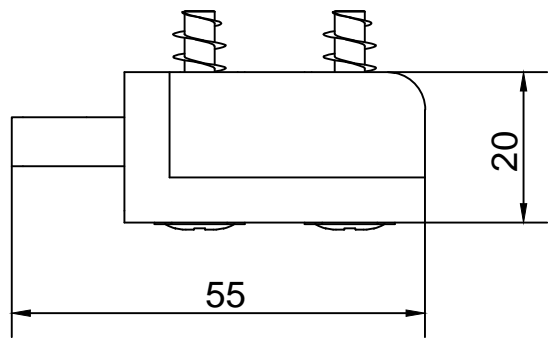
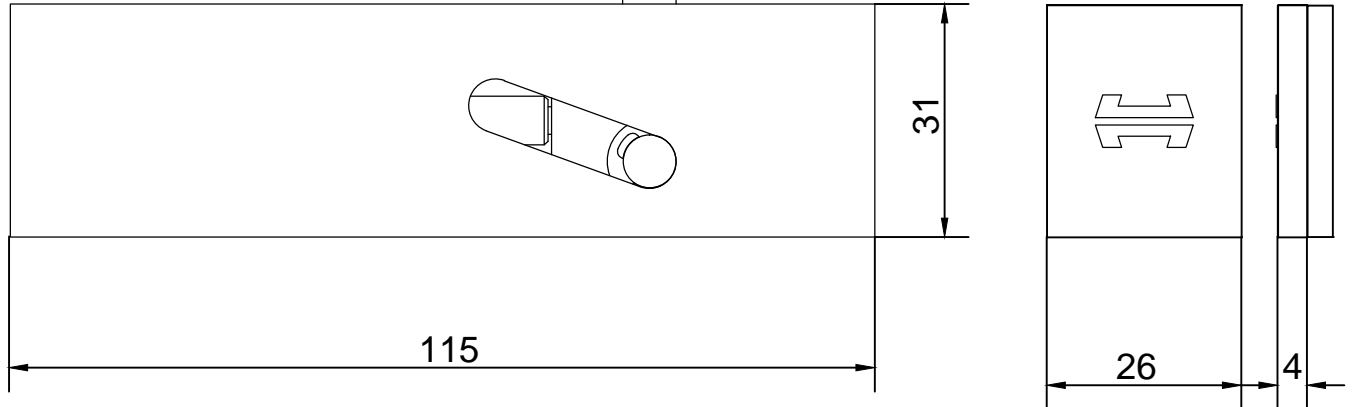
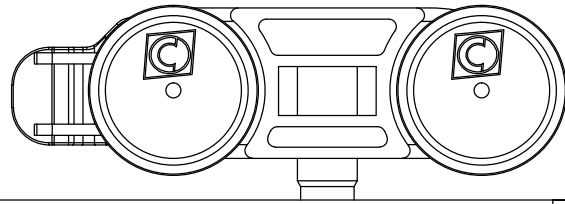
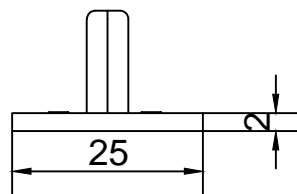
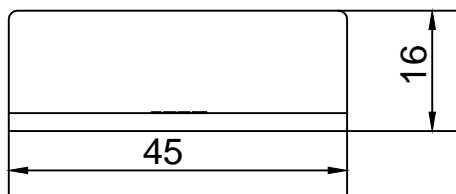


2X 285LH + LH100C + LH100EC



2X 286LH



1X 102N

Description:

LH100

PCH-code: 370225

CAD-scale: - - - -

Drawing-size: A4

Revision: A

# HENDERSON

P.C.HENDERSON LIMITED, BOWBURN, DURHAM DH6 5NG ENGLAND  
 Telephone: (0191) 3770701 Fax No.: (0191) 3771309

.....  
[www.pchenderson.com](http://www.pchenderson.com)