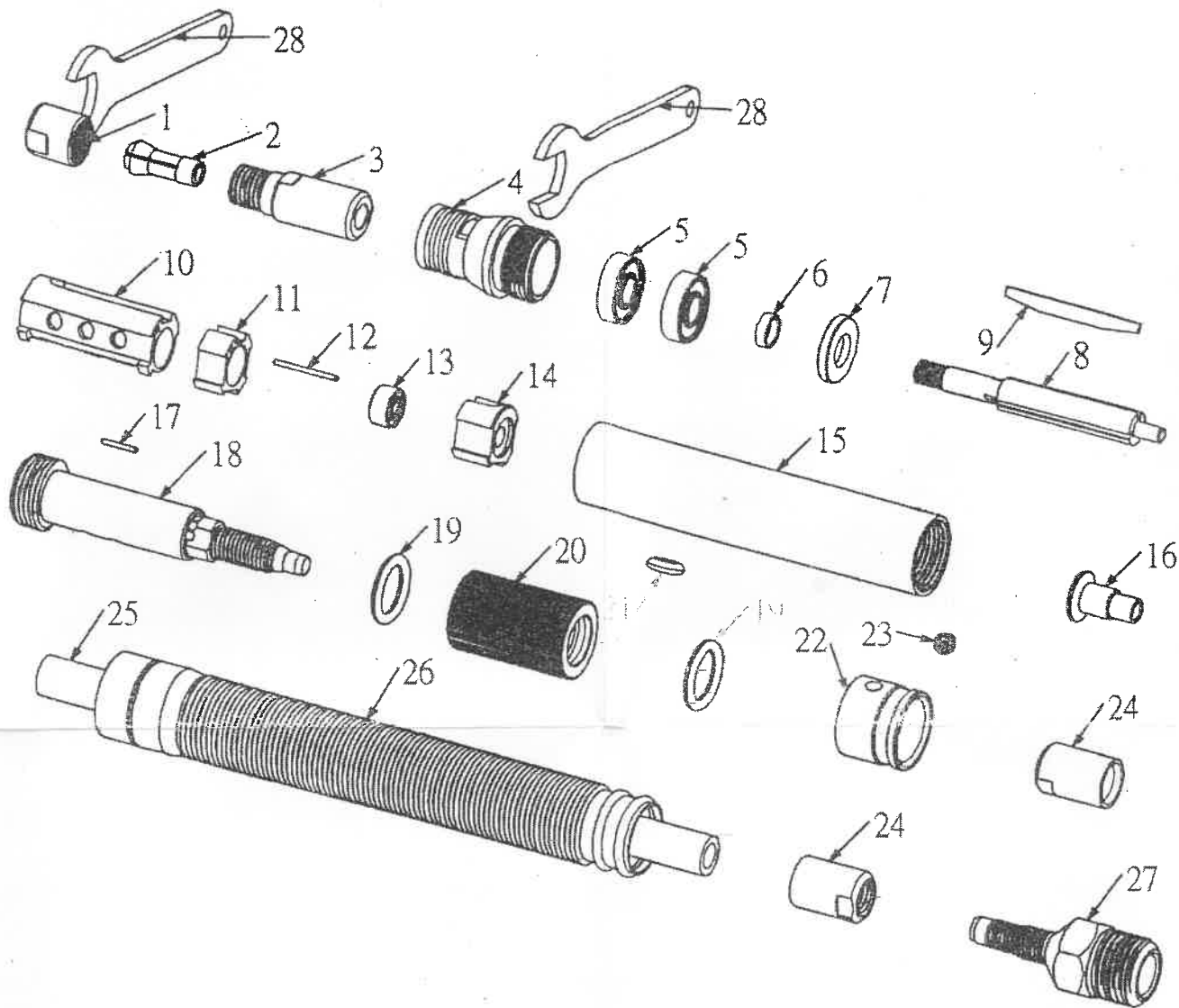


Micro Air Grinder



PARTS LIST

★ :Consuming Part

Item No.	Part No.	Description	Qty.	Item No.	Part No.	Description	Qty
1	8240C01	Collet Nut	1	16	8240C16	Plug	1
2	8242C02	Collet 3mm	1	17	8240C17	Pin	1
3	8240C03	Collet Body	1	18	8242C18	Hose Plug	1
4	8240C04	Nut	1	19	8240C19	O-Ring	2
5	8242C05	Ball Bearing	2	20	8242C20(Black)	Air Regulator	1
6	8240C06	Bearing Spacer	1	21	8240C21	O-Ring	1
7	8240C07	Front End Plate	1	22	8240C22	Rear End Holder	1
8	8240C08	Rotor	1	23	8240C23	Screw	1
9	8240C09	Rotor Blade	3	24	8240C24	Hose Nut	2
10	8242C10	Cylinder	1	25	8240C25	Hose	1
11	8242C11	Rear End Plate	1	26	8240C26	Exhaust Hose	1
12	8240C12	Cylinder Pin	1	27	8240C27	Inlet Adapter	1
13	8240C13	Ball Bearing	1	28	8240C28	Collet Wrench	2
14	8242C14	Intake Plate	1	29	8240C29	Nipple	1
15	8240C15	Housing (Black)	1				

※ If you need to order parts, please mark both **Parts No.** and **Description.**

2015/6/23