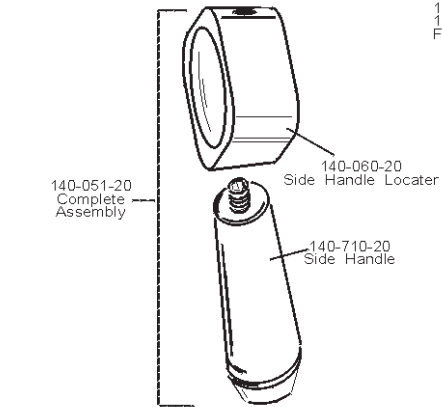
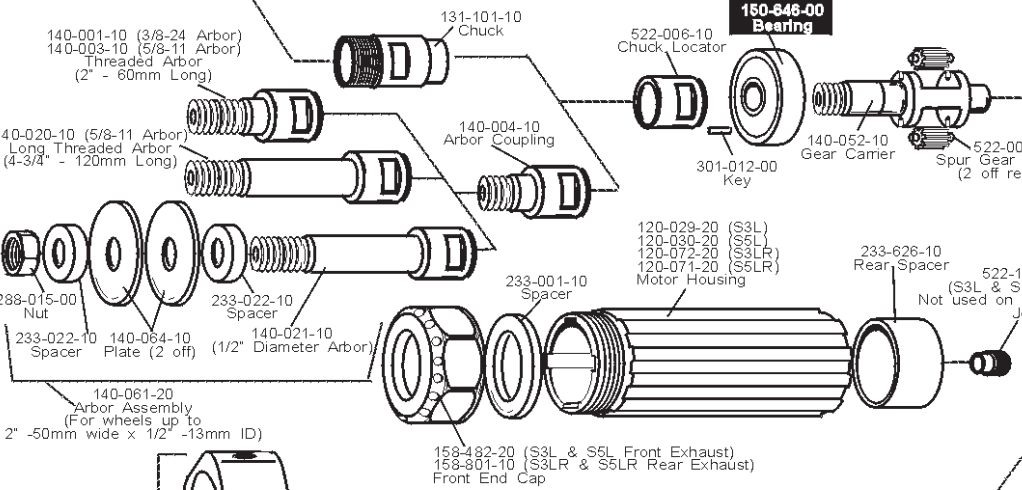
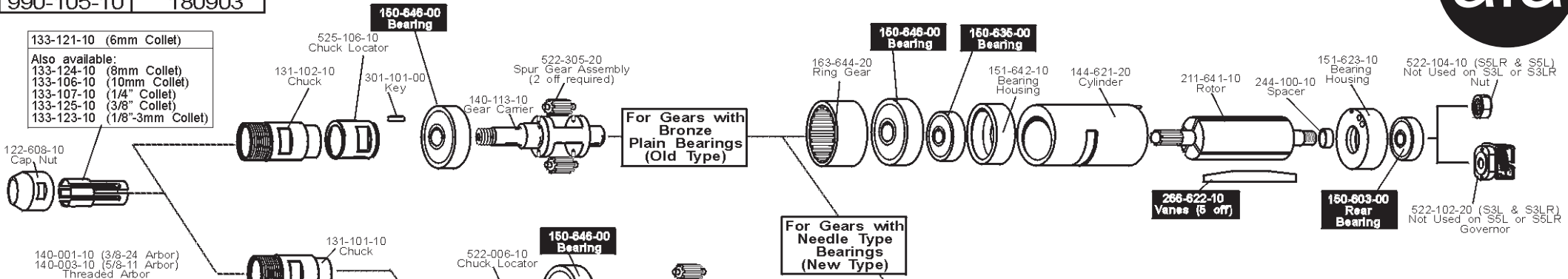


ATA MODELS S5LR, S5L, S3LR, S3L PARTS LIST

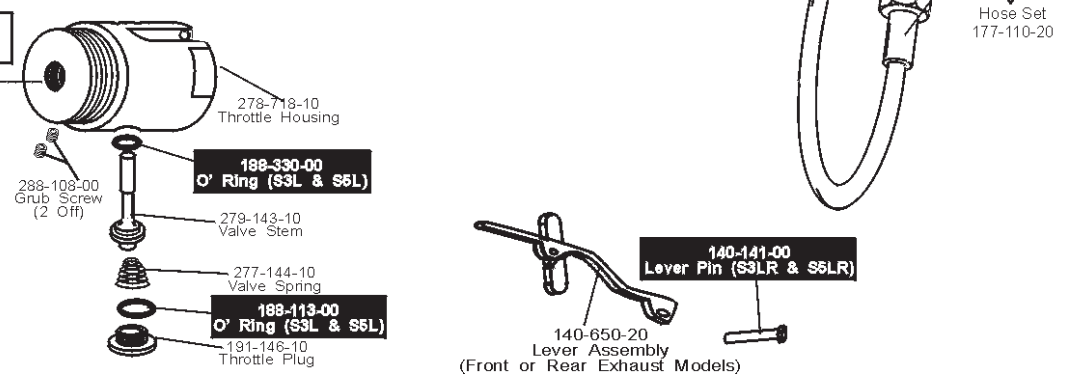
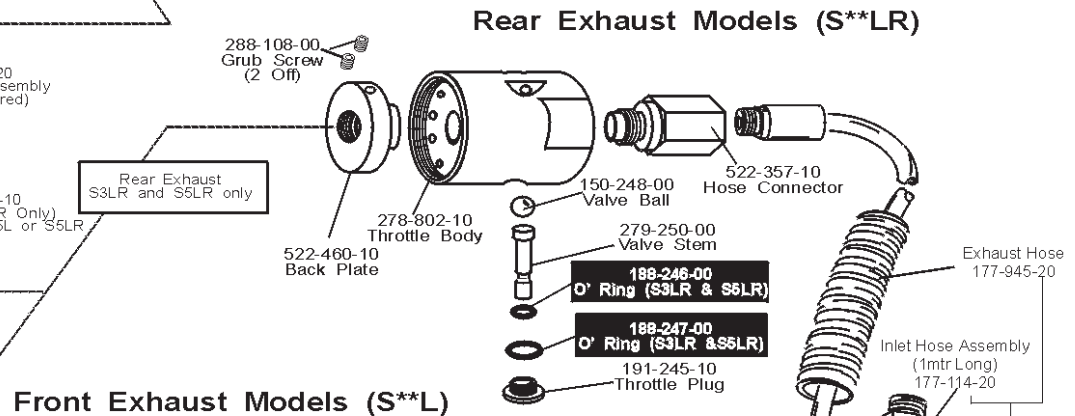
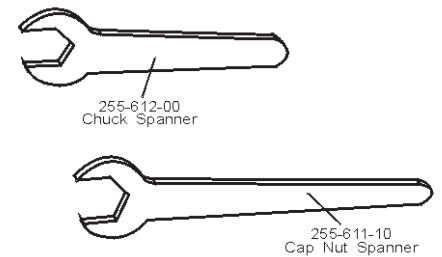


990-105-10 180903

- 133-121-10 (6mm Collet)**
 Also available:
 133-124-10 (8mm Collet)
 133-106-10 (10mm Collet)
 133-107-10 (1/4" Collet)
 133-125-10 (3/8" Collet)
 133-123-10 (1/8"-3mm Collet)



MOTOR SERVICE KIT
 All parts shown highlighted with a black box are included in
SERVICE KIT 555-135-20 (S3L & S5L)
SERVICE KIT 555-136-20 (S3LR & S5LR)



STRIPPING TOOL SET PART NUMBER 900-525-20

MODEL	R.P.M.	m /min	kg	dB(A)	m/s ²
S5L / S5LR	5,000	0.85	1.2	73	< 2.5
S3L / S3LR	3,000	0.85	1.2	62	< 2.5