



KL-0049-360 A Hook for Impact Extractor



Product information EN
⚠ Read and understand before use!



www.gedore-automotive.com



GEDORE Automotive GmbH

Breslauer Straße 41
78166 - Donaueschingen
Postfach 1329
78154 Donaueschingen - GERMANY

☎ +49 (0) 771 / 8 32 23-0
☎ +49 (0) 771 / 8 32 23-90
✉ info.gam@gedore.com
🌐 gedore-automotive.com

GEDORE TOOLS, INC.

Only for USA, Canada & Mexico / Sólo para EE.UU., Canadá y México
Seulement pour les USA, le Canada et le Mexique
7187 Bryhawke Circle, Suite 700
North Charleston, SC 29418, USA

☎ +1-843 / 225 50 15
☎ +1-843 / 225 50 20
✉ info@gedoretools.com
🌐 gedore.com

Version 1 - 07/2021

Product description

KL-0049-360 A - Hook for impact extractor

Particularly suitable for quickly pulling the wishbone axle with support joint out of the clamping hole on the steering knuckle. The profiled shape of the hook allows it to be placed very closely to the support joint.

Required drive parts: KL-0049-31 / KL-0049-300 - Impact extractor 4.8kg



Scope of delivery

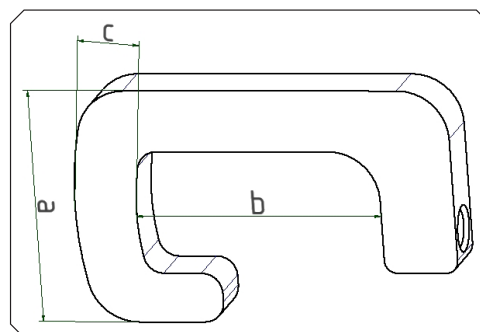
Part no.	Description	Qty.
KL-0049-360 A	Hook for impact extractor	1

Specifications

Dimensions a: 95mm

Dimensions b: 100mm

Dimensions c: 25mm



⚠ Safety instructions and regulations

- ✔ **Prior to using** the tool, read and understand all safety instructions and **follow** them for **safe use**!
- ✔ Ensure that maintenance and repair work on motor vehicles is only carried out by trained specialists in specialist automotive workshops, taking into account occupational safety and accident prevention as well as the instructions of the vehicle manufacturer!
- ✔ **Prior to each use**, check the tool **carefully** for damage, loose parts or unauthorised modifications. **Never** use it if you notice any such deficiencies!
- ✔ Use the tool **as intended** and **always** observe the vehicle-specific application procedures in the vehicle manufacturer's repair manual!
- ✔ **Always** wear your personal protective equipment (for example *safety goggles, protective gloves, safety shoes*) when working!