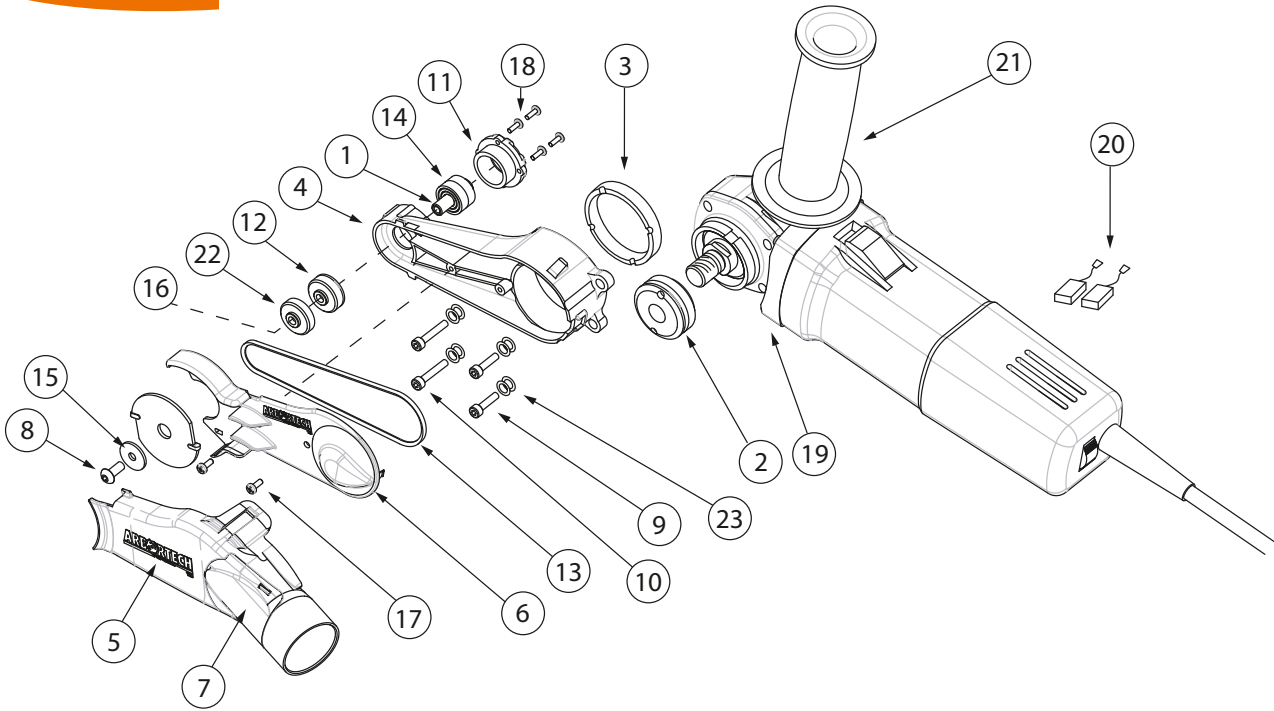


SPARE PARTS

MIDI TOOL



ITEM no.	POS.	DESCRIPTION	QTY.
	8	M5 X 18 BUTTON HEAD SCREW	2
	9	M4 X 20 SOCKET CAP SCREW	2
	10	M4 X 25 SOCKET CAP SCREW	2
9001548	15	FLAT WASHER M5 X 16.8 X 2	2
	18	SCREW, 4G X 1/2 SELF TAPPING /PHILLIPS PAN HEAD	4
	23	M4 WASHERS	8
	17	SCREW, 6G 1/2 S/TAP SCREW (BLACK ZINC)	2
9001549	2	LARGE ALUMINIUM PULLEY	1
	12	S/ST DRIVEN PULLEY SMALL	1
9001550	21	GRINDER HANDLE	1
	1	M5 SHAFT - MINI GRINDER	1
	3	BELT ADJ-T BUSH	1
	4	ARM, MINI CARVER	1
	5	DUCT COVER	1
	6	GUARD BELTCOVER	1
9001551	7	DUCT CAP	1
	11	BEARING CAP	1
	12	S/ST DRIVEN PULLEY SMALL	1
	14	BEARING, BALL FOR MINI GRINDER & C/SANDER	2
	18	SCREW, 4G X 1/2 SELF TAPPING /PHILLIPS PAN HEAD	4
	17	SCREW, 6G 1/2 S/TAP SCREW (BLACK ZINC)	2

ITEM no.	POS.	DESCRIPTION	QTY.
	5	DUCT COVER	1
9001552	7	DUCT CAP	1
9001553	20	BRUSH	1
9001554	19	MOTOR	1
9001531	13	BELT	1
9001555	1	M5 SHAFT - MINI GRINDER	1
	14	BEARING, BALL FOR MINI GRINDER & C/SANDER	2
9001556	22	PULLEY STEP SPACER	1