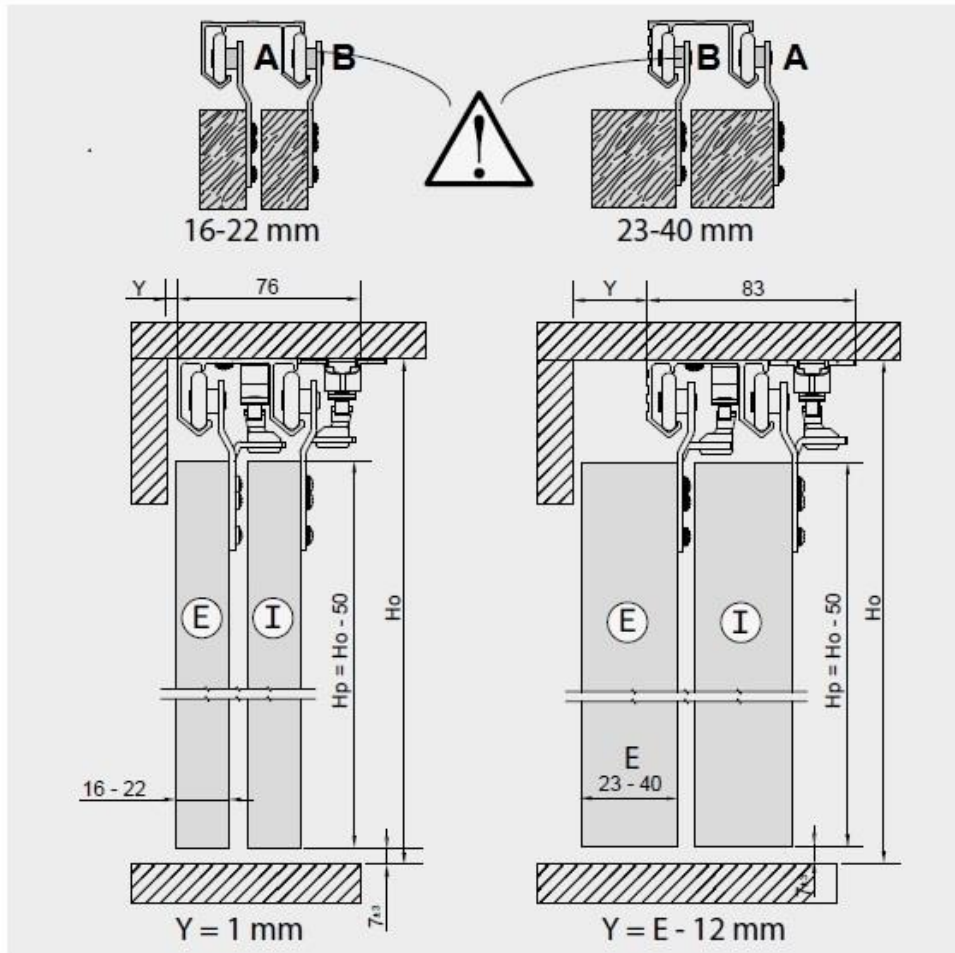
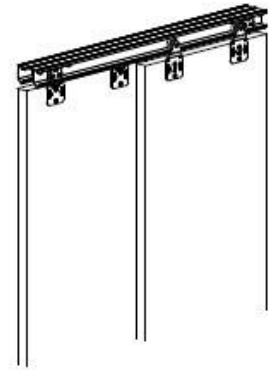


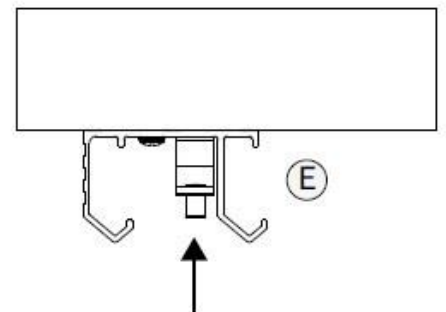
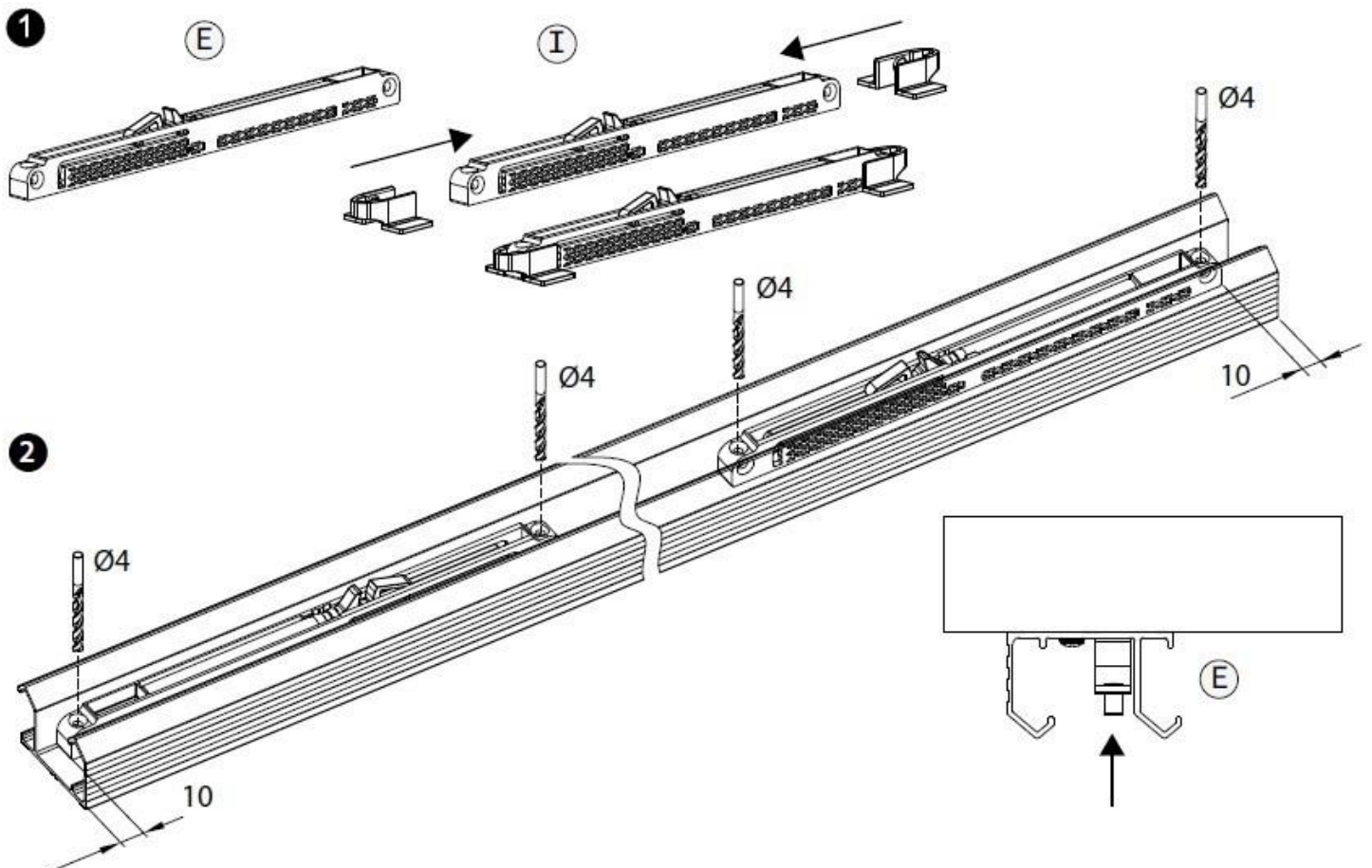
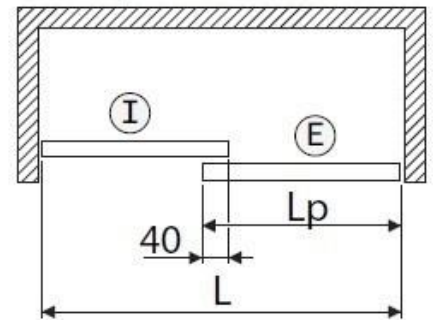
### Montage handleiding Softclose DUORAIL

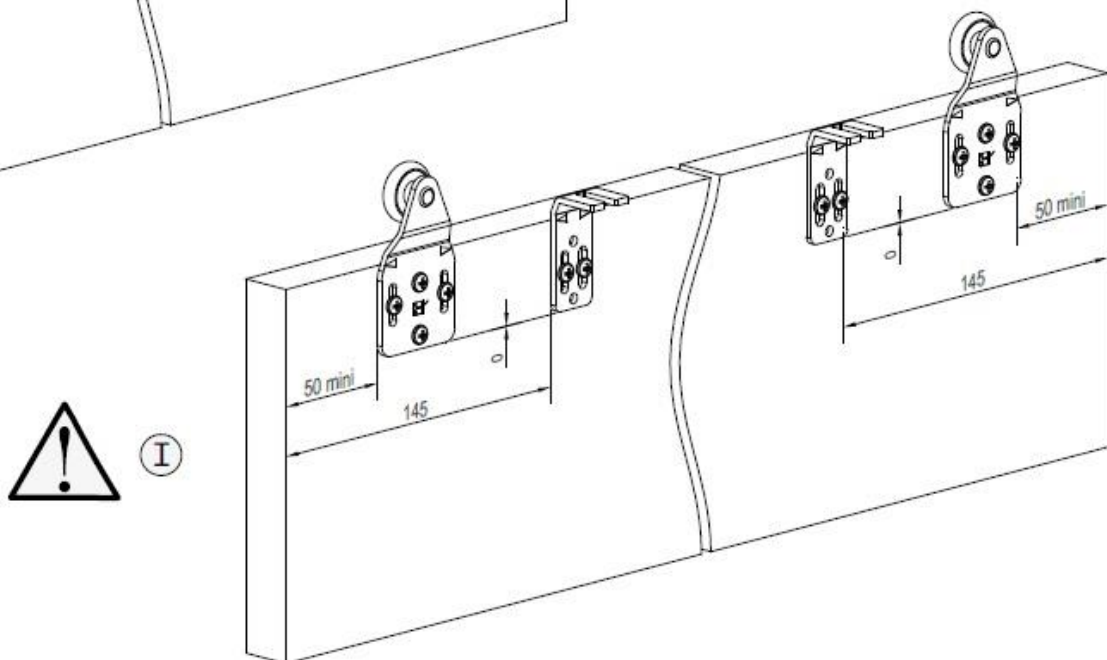
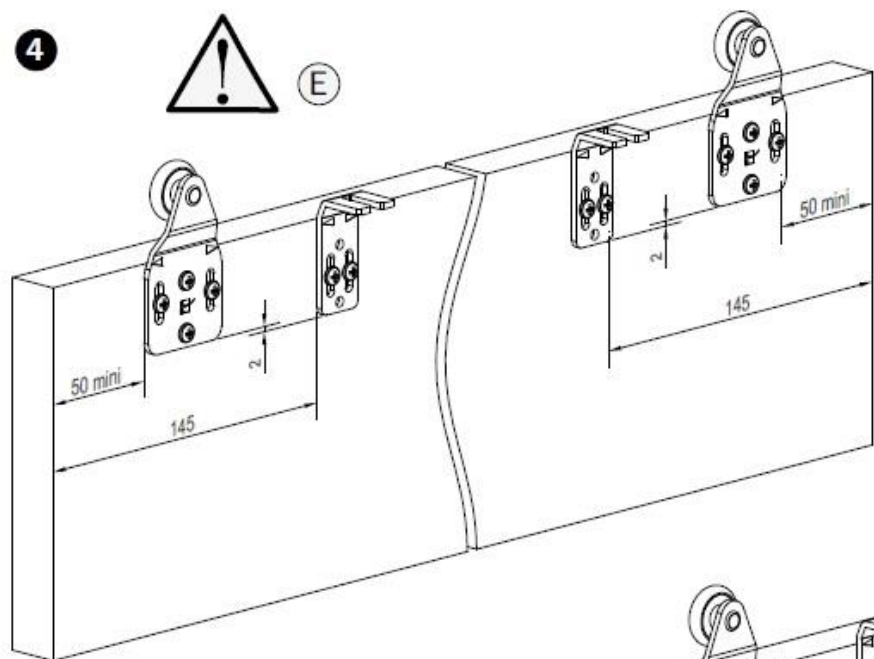
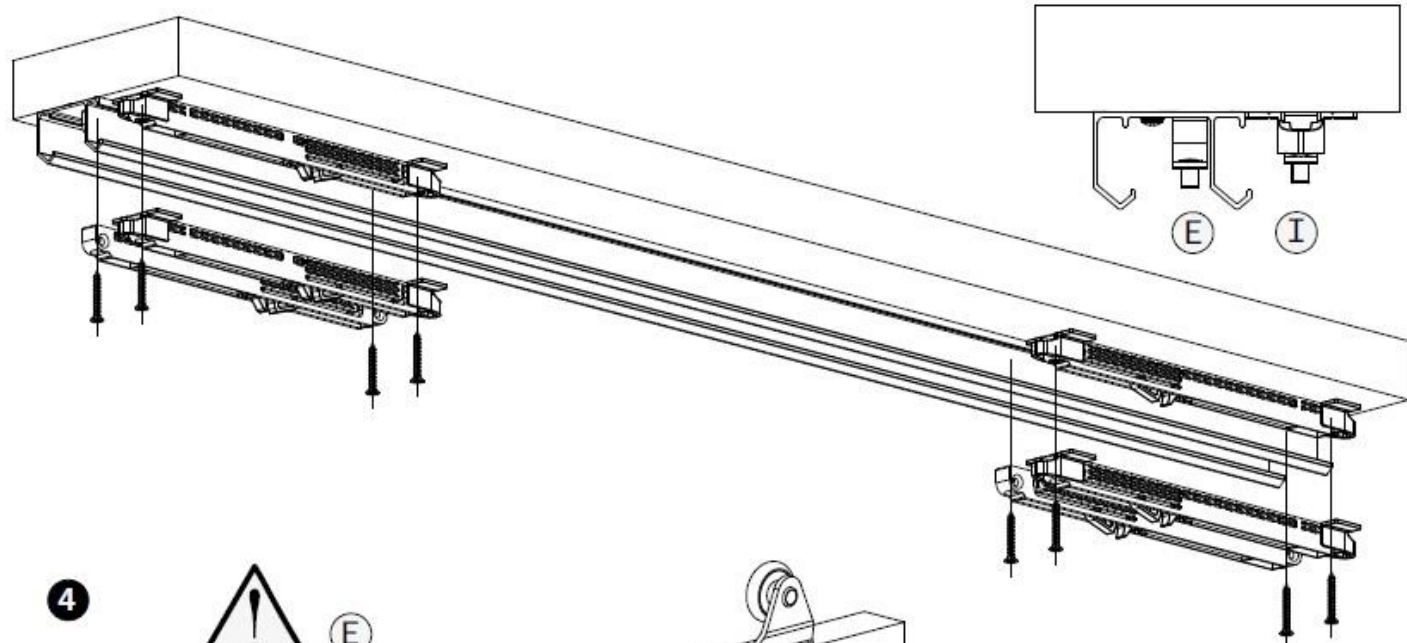
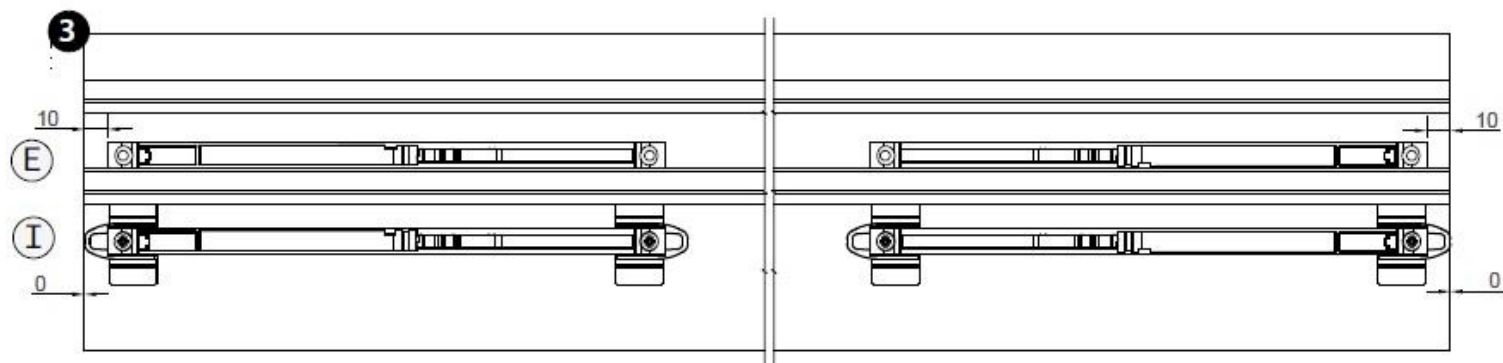


**40 KG MAX**

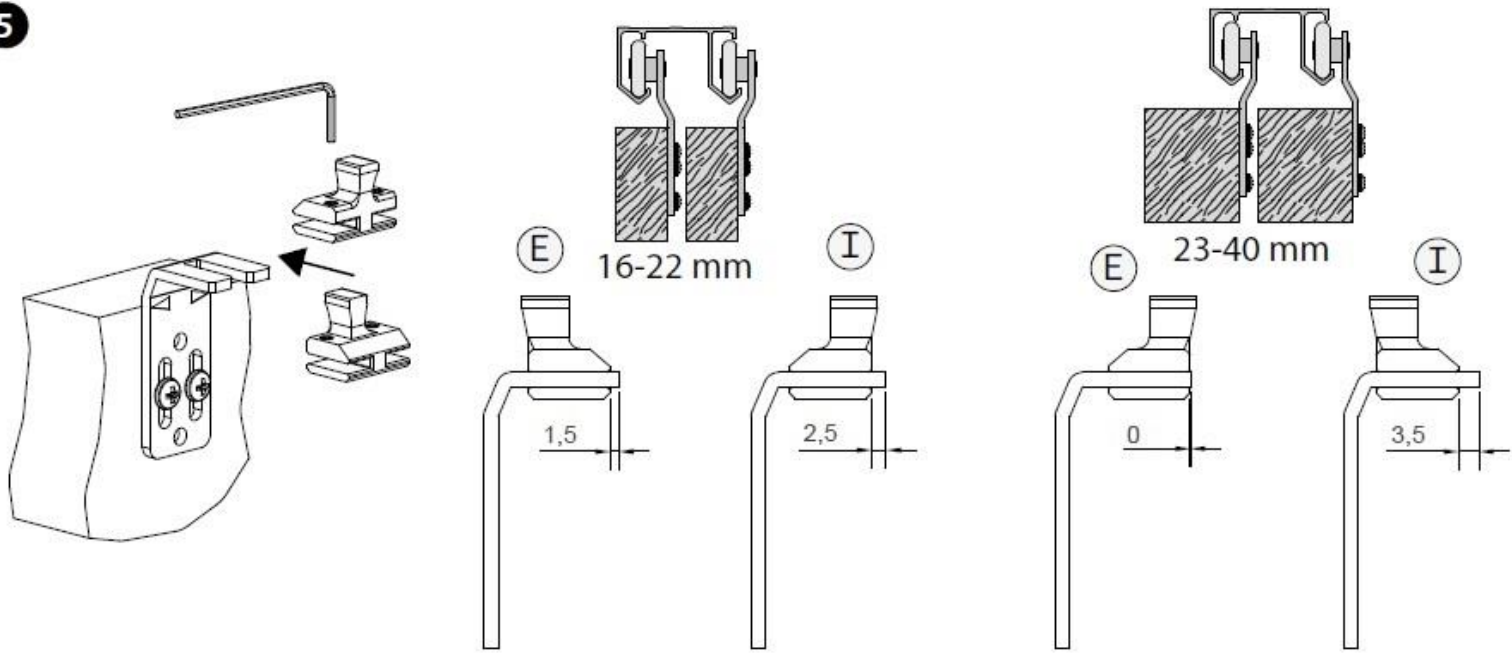


$$L_p = (L + 40) / 2$$





5



6

