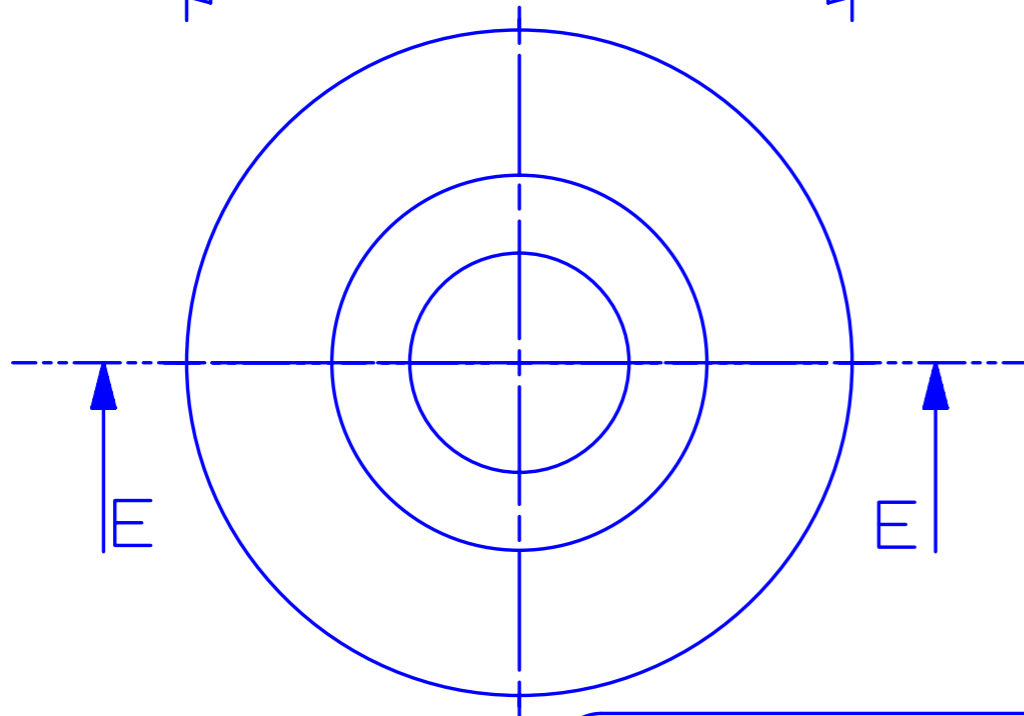
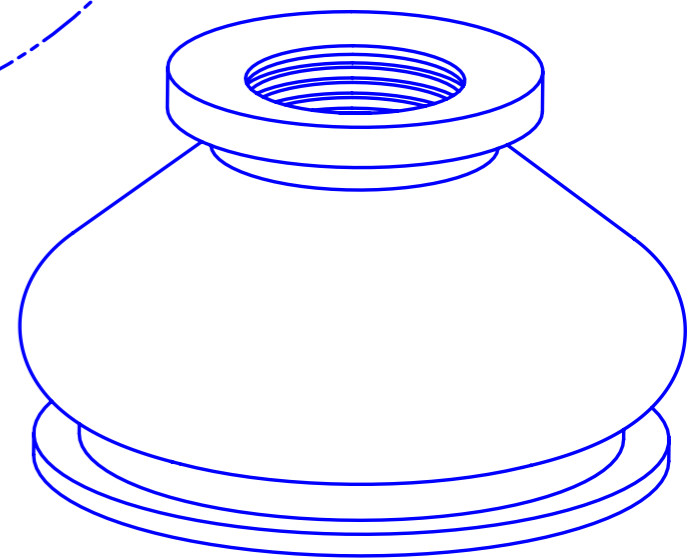
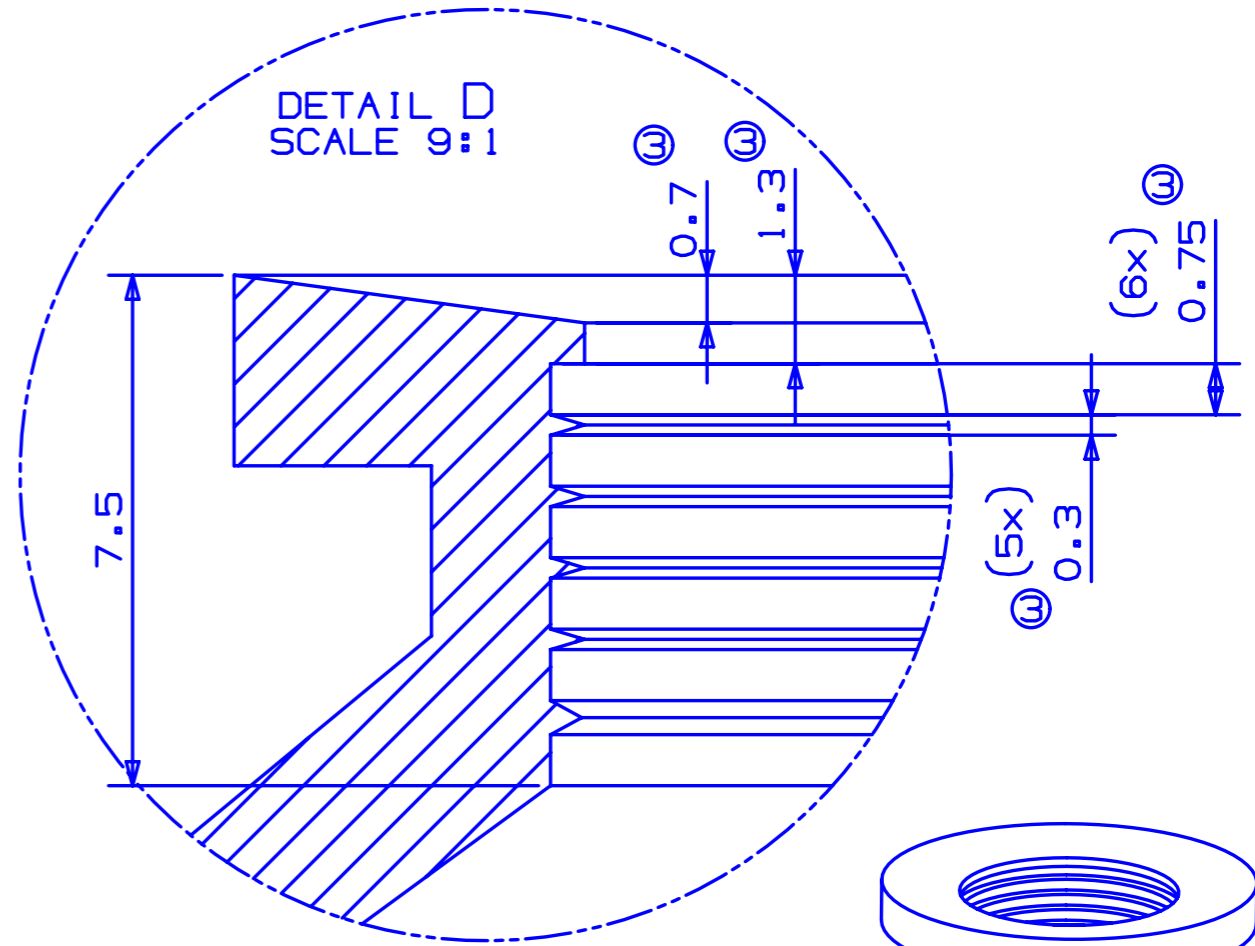
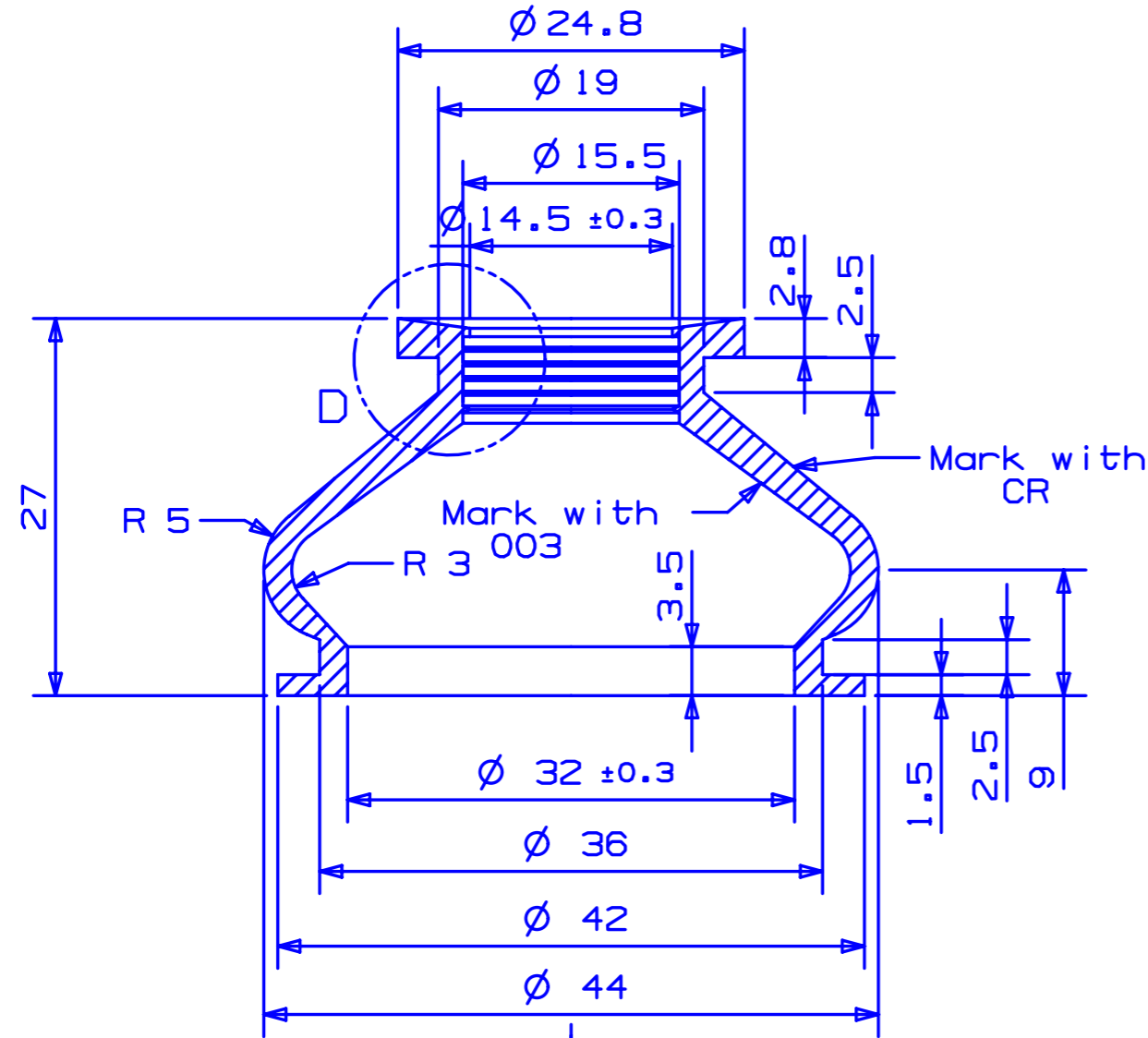


VULCANIZED MOULDED

SECTION E-E



BREAK ALL SHARP CORNERS

Shore hardness $52 \pm 3^\circ$ ShA

Permitted differences for dimension without tol.:					Scale: 2:1 (10:1)	Weight:
from 0.5 to 3	from 3 to 6	from 6 to 30	from 30 to 120	from 120 to 400	Material: CR Rubber	Shape factor:
± 0.1	± 0.1	± 0.2	± 0.3	± 0.5	Treatment:	
			Date: 08/03/02	Name: JDNS	Drawing name:	
			Designed:		DUSTCOVER	
			Checked:			
			Norm:			
			Special marks:			
3	01/02/2011	CORNEL	Company:		Drawing number:	Sheet:
2	REC07003	HOREA	SIDEM NV.		PA14003.03	1/1
1	REC050006	JDNS				
Con	Date	Name	Origin:	Replace:		A3