

GRIPLINE-O 35 L tub

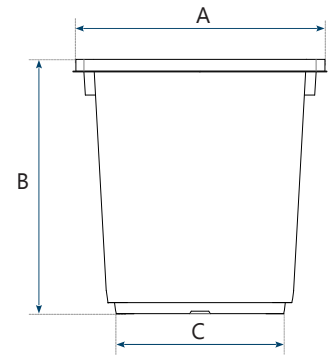


Basic data:

Content:	35 L
Weight:	1500 Gram
Dimensions tolerance:	± 5 %
Volume / weight tolerance:	± 5 %

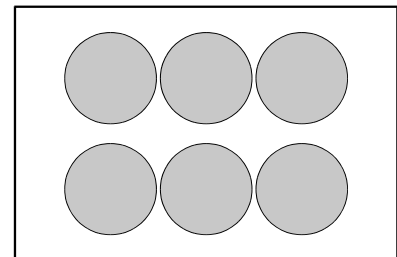
Dimensions:

Itemcode	EAN	Color	Material	Diameter Top (A)	Height (B)	Diameter Bottom (C)	Pallet Quantity
KUI00350-0001	8713331741161	Black	HDPE	47,5 cm	33,6 cm	29,5 cm	250 Pieces



Pallet configuration (800x1200mm)

Pallet quantity:	250 pcs.
Layers per pallet:	1
Stacks per layer:	6
Total per stack:	42
Pallet height:	190 cm



All information is indicative and has been carefully drawn up. Changes in product specifications and images or type errors are reserved.
No rights can be derived from this information, referring to our terms and conditions.