



## JWL Rotational Cleaner

### Efficient and careful cleaning

The JWL Rotational Cleaner ensures you a thorough and careful cleaning of different kinds of surfaces and materials – efficient and quickly. The combination of air, cleaning fluid and circular brushing enables you to remove even the worst stains.

With the adjustments for both air and water flow, it is possible to make an individual setup for each cleaning.

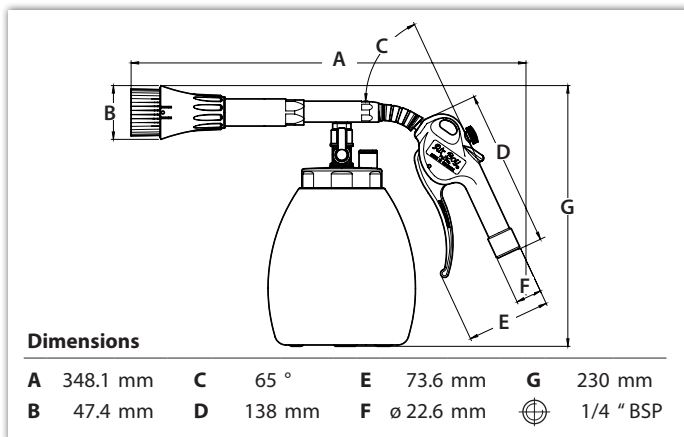
The rotation gun is i.a. ideal for cleaning all types of vehicles both inside and outside. When cleaning textiles i.a. car seats we recommend you to use the suction device/wet vacuum cleaner. This way you avoid several hours of drying.

As an accessory a suction device, which collects excess water, can be purchased. The suction device will be delivered with 4 different adapters to fit your wet vacuum cleaner.

**CAUTION:** Always use working gloves, P2 respiratory protection, hearing and eye protection when using the JWL Rotational Cleaner

#### Features

- Thorough cleaning of many different surfaces/materials
- User-friendly
- Perfect for cleaning hard to reach places
- Adjustable air and liquid flow
- Practical refillable container
- Suction device incl. adaptors - available as an accessory



#### Materials

Handle, trigger and valve	Acetal plastic
Tube	Aluminium
Gaskets/O-rings	Nitrile
Brush	Plastic
Spring	Hardened spring wire
Container 1,2 L	EPDM

#### Specifications

Working pressure		6 - 10 Bar (87 - 145 psi)
Air consumption		minimum: 254 l/min. / 2,5 HP air compressor
Weight		~1,2 kgs
Air connection		1/4" internal thread (BSP)



Made in Denmark

[www.jwl.dk](http://www.jwl.dk)