

AT4266

Wheel Hub / Wheel Bearing Units Tool Set

- For removing and installing the wheel hub or wheel bearings of **built-in** parts on cars.
- Suitable for cars with \varnothing 85mm wheel bearings.
- The design can prevent damage to the new wheel bearing because it provides safe and accurate centering and alignment when changing wheel bearings.
- For VW - Transporter & T5/Multivan Touareg.



← Special design for VW
T5 rear & front axle.

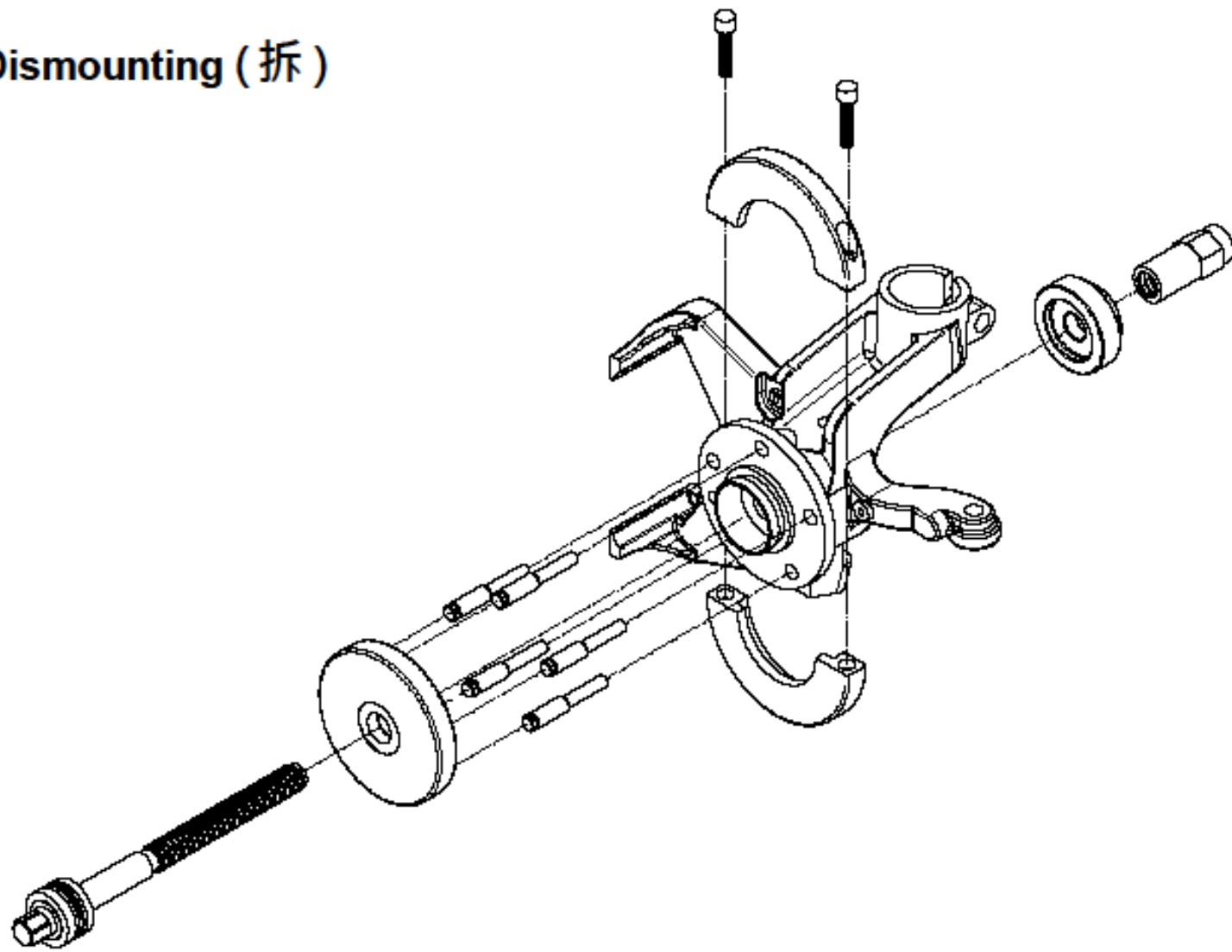
Removing:



Insertion:



Dismounting (拆)



Assembling (裝)

