

DOTCO[®]

45-8186

**12R04.. Series
ERGO Pencil Grinders
60,000 RPM**



12	R	04	00	-	1	8
-----------	----------	-----------	-----------	----------	----------	----------

Product Classification

12 = Ergo Grinder

Throttle Type

R = Roll or Twist

Motor Size

04 = 0.1 hp

Collet Guard

00 = Short Collet Guard

10 = Long Collet Guard

Collet Type

3 = 3mm Collet

6 = 3/32" Collet

8 = 1/8" Collet

Overhose Length

1 = 1 Foot Overhose

2 = 2 Foot Overhose

3 = 3 Foot Overhose

IMPORTANT: Read and comply with all safety and operating instructions, refer to grinder Safety Document CE-2007.

For additional product information visit our website at www.cooperpowertools.com

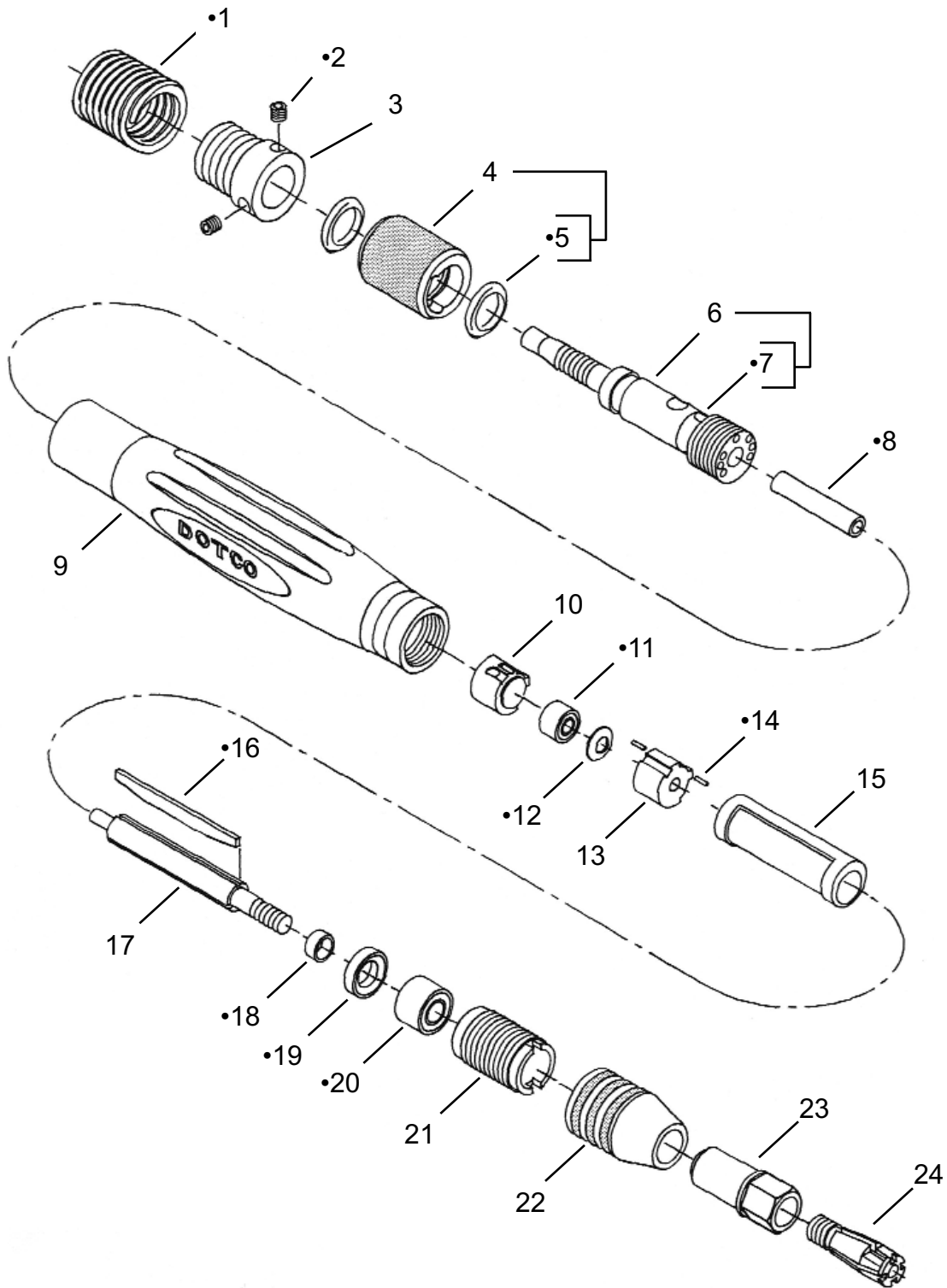
Cooper Power Tools

P.O. Box 1410

Lexington, SC 29071-1410

DOTCO Pencil Grinder

“A”



DOTCO Pencil Grinder

PL30-12R04
December 27, 2004

Illustration "A" - Pencil Grinder

Index	Number	#	●	EN	DE	FR	ES	IT
				Description	Benennung	Designation	Description	Descrizione
1	---	1	K1	Overhose Spring	Druckfeder	Ressort	Resorte	Molla
2	---	2	K1	Set Screw	Stellschraube	Vis de pression	Tornillo fijador	Vite di arresto
3	01-0917	1		Exhaust Adapter	Zwischenstück	Adaptateur	Adaptador	Adattatore
4	01-0935	1		Roll Valve	Ventil	Soupape	Válvula	Valvola
5	---	2	K1	O-Ring	O-Ring	Joint torique	Anillo "O"	Anello ad O
6	01-0929	1		Valve Body	Ventilkörper	Corps de soupape	Cuerpo de válvula	Corpo della valvola
7	---	1	K1	Pin	Stift	Goupille cylindrique	Pasador	Spina
8	---	1	K1	Inlet Tube	Rohrmutter	Tube	Tubo	Tubo
9	01-6060	1		Housing	Gehäuse	Corps	Caja	Corpo
10	969	1		Manifold	Verteiler	distributeur	distribuidor	distributore
11	---	1	K2	Ball Bearing	Kugellager	Roulement à billes	Cojinete de bolas	Cuscinetto a sfera
12	---	1	K2	Spring Washer	Federnde Unterlegscheibe	Rondelle élastique	Arandela elástica	Guarnizione elastica
13	980	1		Rear Plate	Hintere Platte	Plaque arrière	Placa posterior	Piattello posteriore
14	---	2	K2	Pin	Stift	Goupille cylindrique	Pasador	Spina
15	989	1		Cylinder	Zylinder	Cylindre	Cilindro	Cilindro
16	---	3	K2	Rotor Blade	Rotorblatt	Palette	Alabe del rotor	Paletta del rotore
17	982	1		Rotor	Rotor	Rotor	El rotor	Il rotore
18	---	1	K2	Spacer	Distanzstück	Entretoise	Espaciador	Distanziale
19	---	1	K2	Spacer	Distanzstück	Entretoise	Espaciador	Distanziale
20	---	1	K2	Ball Bearing	Kugellager	Roulement à billes	Cojinete de bolas	Cuscinetto a sfera
21	967	1		Lock Ring	Verschlussring	Bague de verrouillage	Anillo de cierre	Anello di bloccaggio
22	Table "A1"	1		Collet Guard	Schutzvorrichtung	Protection	Guarda	Protezione
23	976	1		Collet Chuck	Futtergehäuse	Corps de douille de serrage	Cuerpo de la boquilla	Corpo bussola di chiusura
24	Table "A2"	1		Collet	Futter	Douille de serrage	Boquilla	Bussola di chiusura
Parts Not Shown; Nicht dargestellt; Non représenté; No representado; Non rappresentato								
--	45-6003	1		Overhose (1 foot)	Schlauchabdeckung (0,3 M)	Couverture de tuyau (0,3 M)	Cubierta de la manguera (0,3 M)	Copertura del tubo flessibile (0,3 M)
--	45-6002	1		Overhose (2 foot)	Schlauchabdeckung (0,6 M)	Couverture de tuyau (0,6 M)	Cubierta de la manguera (0,6 M)	Copertura del tubo flessibile (0,6 M)
--	45-6001	1		Overhose (4 foot)	Schlauchabdeckung (1,2 M)	Couverture de tuyau (1,2 M)	Cubierta de la manguera (1,2 M)	Copertura del tubo flessibile (1,2 M)
--	45-0948	1		Air Hose (5 foot)	Luftschlauch (1,5 M)	Manche à air (1,5 M)	Manguera de aire (1,5 M)	Tube aria (1,5 M)
--	14-0803	1		Wrench (3/16")	Schraubenschlüssel	Clé plate	La llave	La chiave
--	14-0822	1		Wrench (11/32")	Schraubenschlüssel	Clé plate	La llave	La chiave

(#) Quantity / Stückzahl / Quantité / Cantidad / Quantità

● Included in one of the following parts kits:

K1 = 04-0033 Air Inlet Kit

K2 = 04-0020 Motor Kit

Table "A1"

Index #	Description	Qty.	12R0400	Qty.	12R0410
22	Collet Guard	1	917	1	916

Table "A2"

Index #	Description	Termination	Qty.	12R0400	Qty.	12R0410
24	3mm Collet	-13	1	148	1	148
	3mm Collet	-23	1	148	1	148
	3mm Collet	-43	1	148	1	148
	3/32" Collet	-16	1	102	1	102
	3/32" Collet	-26	1	102	1	102
	3/32" Collet	-46	1	102	1	102
	1/8" Collet	-18	1	100	1	100
	1/8" Collet	-28	1	100	1	100
	1/8" Collet	-48	1	100	1	100



Cooper Power Tools

P.O. Box 1410

Lexington, SC 29071-1410

USA

Phone: 803-359-1200

Fax: 803-808-6735

www.cooperpowertools.com