

# Workplace Dispensers

**PRODUCT DESCRIPTION**

Unique range of 1 litre, 2 litre and 4 litre closed, sealed cartridge dispensers that meet the distinct needs of any workplace and public facility environment.

**USAGE**

For exclusive use with SC Johnson Professional skin care products to create tailored skin defense and hand hygiene programs.

**WHERE TO USE**

General industry, food industries, catering, healthcare, any workplace and public facility.

**METHOD OF USE**

Large, 'easy-push' buttons dispense a controlled dose of product appropriate for the application required and empty cartridges are easily replaced in seconds.



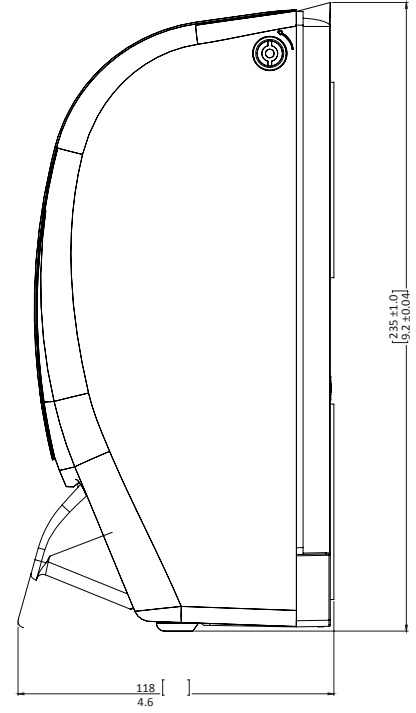
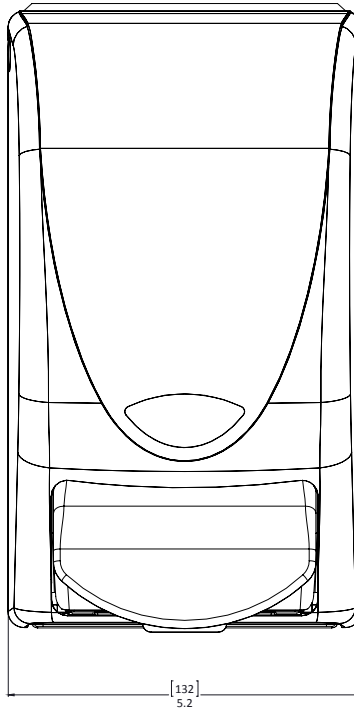
	DESCRIPTION	BENEFITS
FEATURES	Robust and long-life	Dispensers are guaranteed against normal wear and tear, subject to correct installation, usage and dispenser care. Manual dispensers are warranted for their lifetime. Warranty applies only to dispensers exclusively using SC Johnson Professional products. Other terms and conditions apply: warranty.scjp.com.
	Spare parts available	In case of vandalism or accidental damage, spare parts can be provided allowing for repairs without having to take the dispenser off the wall.
	Fixed product dose	Delivers the exact amount required, controlling usage and reducing waste.
	Hygienic, airless cartridge	The ultrasonically sealed cartridge and pump mechanisms prevent the ingress of air into the cartridge during use to help prevent product contamination and ensure 'fresh' product is dispensed every time.
	Minimal waste	The air-tight cartridges are designed to collapse during use ensuring full evacuation of product with minimal wastage.
	Large push button	Allows easy use by hand or elbow; suitable in hygiene sensitive areas.
HANDLING	Simple cartridge replacement	Designed for exclusive use with SC Johnson Professional product cartridges to be replaced in seconds, reducing maintenance time and costs.
	Color coding	Color coded push button for easy visual identification of product type to encourage correct product usage and compliance.
	Sight glass	Indicates the level of product in the cartridge which helps identify when product needs replacing.
	Unique locking mechanism	Helps prevent unauthorized access, pilferage and product contamination.



# Workplace Dispensers

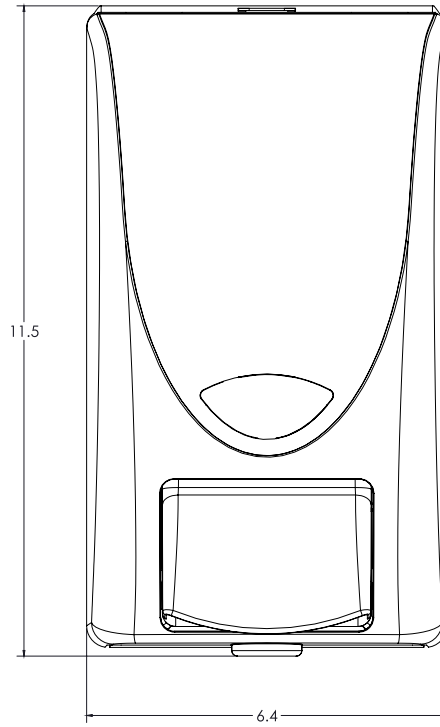
## 1 LITRE DISPENSERS

- PRO1LDS
- SUN1LDS
- WRM1LDS
- ANT1LDS
- SHW1LDS
- SAN1LDS
- IFS1LDS
- RES1LDS



## 2 LITRE DISPENSERS

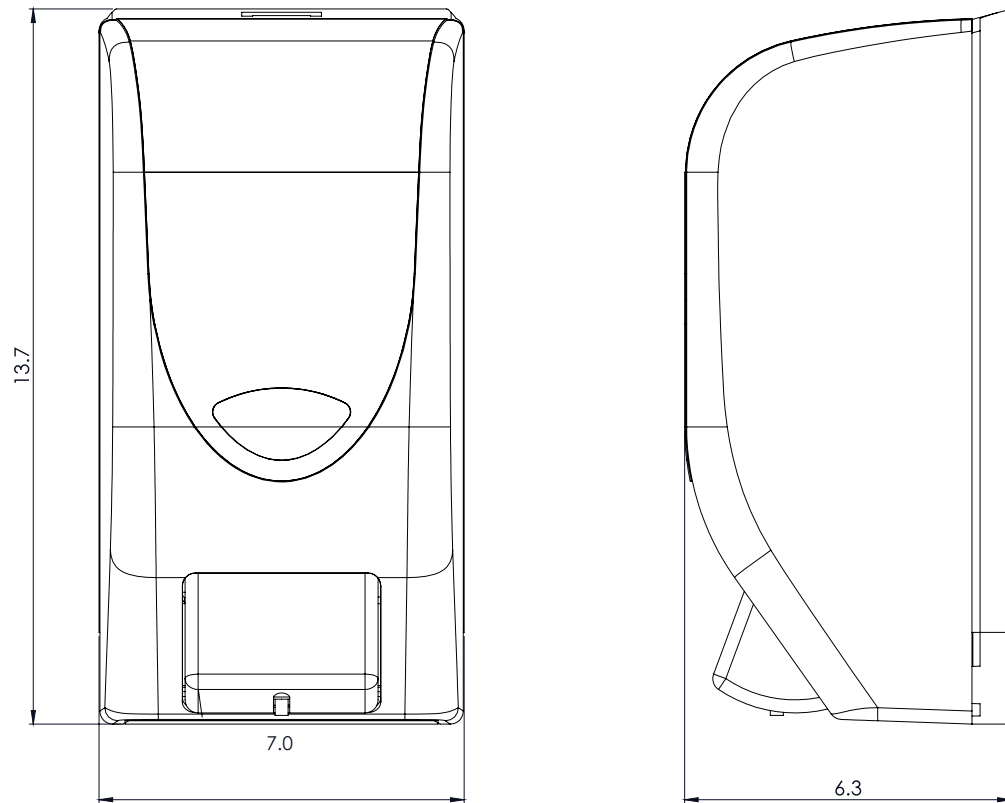
- WRM2LDP
- SHW2LDP
- HVY2LDB
- ULT2LDB



# Workplace Dispensers

## 4 LITRE DISPENSERS

SHW4LDR  
HVY4LDB



STEP	STOCK CODE	DESCRIPTION	COLOR	CARTRIDGE CAPACITY	CASE QTY	DISPENSER SIZE	TO USE WITH
Protect	PRO1LDS	Pre-work Creams	White	1 Litre	15	9.252 x 4.921 x 4.606	SGPIL
Protect	SUN1LDS	Sunscreen	White	1 Litre	15	9.252 x 4.921 x 4.606	SUNILCA
Cleanse	WRM1LDS	Cleanse Washroom	White	1 Litre	15	9.252 x 4.921 x 4.606	CLR1L, AZU1L
Cleanse	WRM2LDP	Cleanse Washroom	White	2 Litre	8	11.378 x 6.378 x 5.472	CLR2LT, AZU2LT
Cleanse	ANT1LDS	Cleanse AntiBac	White	1 Litre	15	9.252 x 4.921 x 4.606	ANTILCA
Cleanse	SHW1LDS	Cleanse Hand, Hair & Body	White	1 Litre	15	9.252 x 4.921 x 4.606	HAB1L, PUW1L
Cleanse	SHW2LDP	Cleanse Hand, Hair & Body	White	2 Litre	8	11.378 x 6.378 x 5.472	HAB2LT, PUW2LT
Cleanse	SHW4LDR	Cleanse Hand, Hair & Body	White	4 Litre	6	13.74 x 7.008 x 6.22	HAB4LTR, PUW4LTR
Cleanse	HVY2LDB	Cleanse Heavy	Black	2 Litre	8	11.378 x 6.378 x 5.472	LIM2LT, SOL2LT, CIT2LT, KCL2LT, KCH2LT
Cleanse	HVY4LDB	Cleanse Heavy	Black	4 Litre	6	13.74 x 7.008 x 6.22	LIM4LTR, SOL4LTR, CIT4LTR
Cleanse	ULT2LDB	Cleanse Ultra	Black	2 Litre	8	11.378 x 6.378 x 5.472	KSP2LT
Sanitize	SAN1LDS	Sanitizer	White	1 Litre	15	9.252 x 4.921 x 4.606	IFS1L
Sanitize	IFS1LDS	Sanitizer	White	1 Litre	15	9.252 x 4.921 x 4.606	IFS1L
Restore	RES1LDS	Moisturizing Creams	White	1 Litre	15	9.252 x 4.921 x 4.606	RES1L, SBS1L

SC Johnson Professional CA, Inc.  
Brantford, ON, N3T 5R1  
Tel : 1-888-332-7627  
www.scjp.com

This information and all further technical advice is based upon our present knowledge and experience. However, it implies no liability or other legal responsibility on our part, including with regard to existing third party intellectual property rights, especially patent rights. In particular, no warranty, whether express or implied, or guarantee of product properties in the legal sense is intended or implied. We reserve the right to make any changes according to technological progress or further developments.

©2026 SC Johnson Professional CA, Inc.

