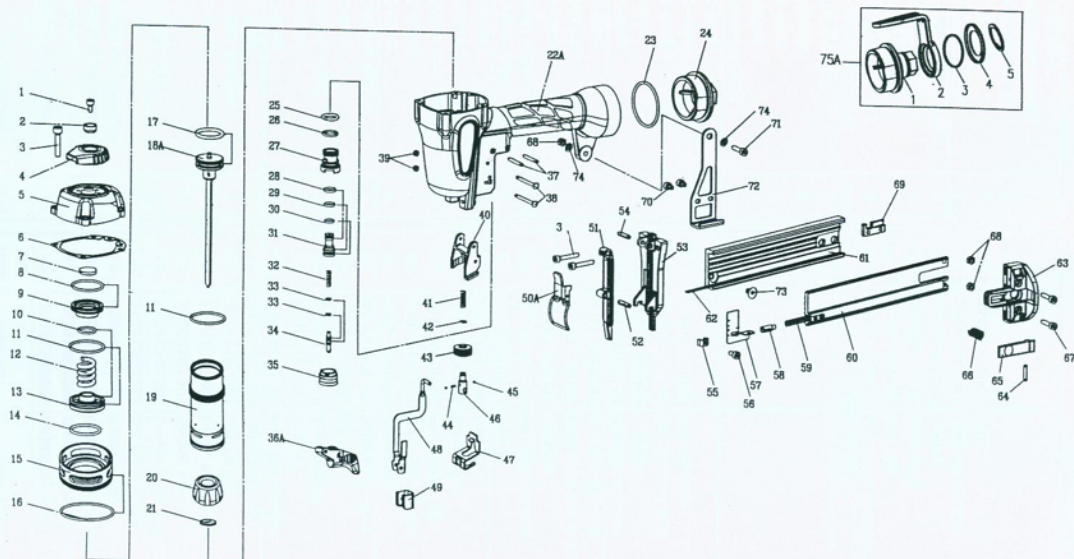


EXPLODED VIEW



Parts List

Item No.	Part No.	Description	Q'ty	Item No.	Part No.	Description	Q'ty
1	30104080166	Hex.Soc.Hd.Bolt	1	46	21031500066	Adjusting Post	1
2	21030000001	Bushing	1	47	22281480001	Contact Trip , Upper	1
3	30104200866	Hex.Soc.Hd.Bolt	6	48	22071510001	Lower Safety Lever Assembly	1
4	21030010015	Deflector, Exhaust	1	49	20801580115	Rubber Pad	1
5	210400200XX	Cap	1	50A	21041362266	SA, Door Latch	1set
6	21030130000	Casket, Cap	1	51	21041340366	Lower Door, Machined	1
7	21030190015	Seal	1	52	30803165001	Spring Pin	1
8	30700123000	O-Ring	1	53	21041350266	Nose, Machined	1
9	21030140016	Piston Stopper	1	54	30804160001	Spring Pin	1
10	30700125000	O-Ring	1	55	20142230001	Spring Stopper	1
11	30700120000	O-Ring	2	56	30104060166	Hex.Soc.Hd.Bolt	1
12	21030160000	Spring	1	57	21042130001	Pusher	1
13	21030150216	VALVE, HEAD	1	58	20252240016	Spring Lock	1
14	30700126000	O-Ring	1	59	20142210001	Spring	1
15	21030340116	Cylinder Spacer	1	60	21042200106	Magazine Cover	1
16	30700044000	O-Ring	1	61	21042050106	Magazine	1
17	30700187000	O-RING	1	62	21032060001	Mail Guide Liner	1
18A	21040461200	Driver Assembly	1set	63	21042180015	Magazine Cap	1
19	21040350200	Cylinder	1	64	30803100001	Spring Pin	1
20	21030470115	Bumper	1	65	20032280066	Latch	1
21	21030480101	Driver Guide	1	66	20032330001	Spring	1
22A	208006021XX	Body Assembly	1set	67	30104160166	Hex.Soc.Hd.Bolt	2
23	30700185000	O-Ring	1	68	30604070001	Locknut	3
24	207707X01XX	End Cap	1	69	20162220001	Magazine Cover Stopper	1
25	30700079000	O-Ring	1	70	30104080266	Hex.Soc.Hd.Bolt	2
26	30700081000	O-Ring	1	71	30104180166	Hex.Soc.Hd.Bolt	1
27	20770900016	Valve	1	72	21042170066	Bracket	1
28	30700002000	O-Ring	1	73	30505100166	Hex.Soc.Hd.Bolt	1
29	30700201000	O-Ring	1	74	30900010001	Flat Washer	2
30	30700071000	O-Ring	1				
31	20770910016	Valve Plunger	1				
32	20770960001	Spring	1				
33	30700080000	O-Ring	2				
34	22220920000	Plunger	1				
35	20770930016	Plunger Cap	1				
36A	22220952015	Trigger Assembly	1set	Optional Parts			
37	30803240001	Spring Pin	2	75A	20970832115	Belt hook Assembly	1set
38	20460890001	Pin Trigger	2	75A-1	20970740027	End Cap	1
39	30700078000	Grommet	2	75A-2	20970830115	Belt hook	1
40	22282840215	Guide, Contact Trip	1	75A-3	30700188000	O-Ring	1
41	21031490101	Spring, Safety	1	75A-4	20970840001	Cover,Belt hook	1
42	31303000001	E-ring	1	75A-5	33425000001	C-ring	1
43	20801600001	Adjusting Nut	1				
44	20771630000	Adjusting Spring	1				
45	31200200000	Ball,Steel	2				

BN1832S2#42291100100

8/25/2009