

jarrer

THE ART AND SCIENCE OF LIGHTING

WL R15LD SERIES LED WORK LAMP

INSTRUCTION MANUAL

To prevent accidents and appliance damage, read these instructions before installation or use.





SAFETY INFORMATION

The work light has been designed to meet the latest standard and manufactured with high-quality materials, tested by standard process.

Still, the use of the product may constitute a risk to persons or cause material damage.

Explosion hazard

This lamp is not designed for use in flammable and explosive areas.

Do not operate the lamp in hazardous location.

Electrical Safety

Compare the mains voltage with the nominal voltage and the hertz specified on the product and make sure that they are identical.

Do not connect a damaged cable.

Bright light source exposure risk

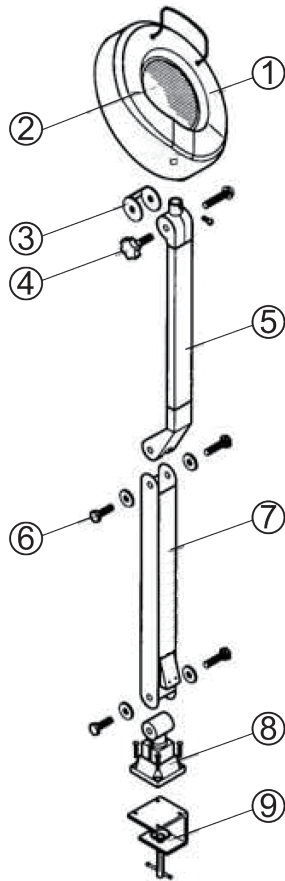
Placed the lighting in an angle to avoid looking directly into the light source.

Do not look directly into the light source.

Ambient temperature

The allowed ambient temperature for the light will be around 40°C.

Avoid direct exposure to the sunlight.



PARTS LIST LAMP ASSEMBLY:

NO.	DESCRIPTION
1.	Light Head Body
2.	Magnification Lens
3.	Arm Clamp
4.	Arm Clamp Knob
5.	Upper Arm
6.	Arm Lockscrew
7.	Lower Arm
8.	Base
9.	Mounting Angle plate

GENERAL INFORMATION

Intended purpose:

Stationary light for working machines.

Place of use:

For use on working machines.

Operating mode:

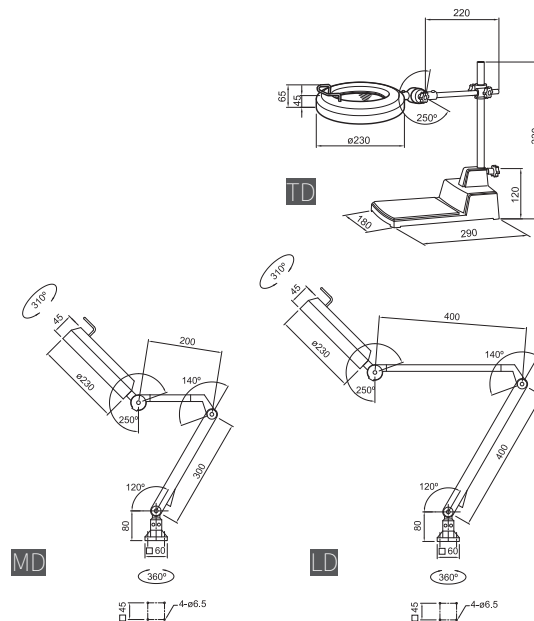
The light is designed for continuous operation.

Classifications:

Protection class IP20.



Product dimensions:



Model	watt	Volt
WL R15MD	14	AC 100V-240V
WL R15LD		
WL R15TD		

INSTALL THE LAMP

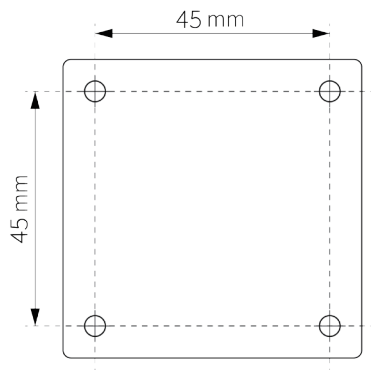
Mounting:

The light must be mounted on an stable, non-flammable surface with the included screws.

The user has to verify the reliability when using mounting elements which have not been proposed by the manufacturer.

Putting into operation:

Before operating the light, please check whether the mains voltage is identical to the rated voltage specified on the rating plate.



MAINTENANCE AND REPAIR



Disconnect the light from the power source before carrying out any maintenance or repair work!

This work may only be carried out by a qualified electrician!

Disconnect a damaged connecting cable immediately from the power supply and have it replaced by the manufacturer or by a qualified electrician.

Only parts approved by the manufacturer may be used as spare parts.

Cleaning:

Clean the transparent shade regularly to ensure maximum brightness.

Please use a cloth impregnated with a normal household detergent to clean the lamp components.

Please ensure that the detergent used are compatible with paints and plastics.